

# NEWS

**OUR VISITORS CAN CHARGE THEIR  
ELECTRIC CARS FOR FREE!**

**(TYPE 2 WITH 22KW)**

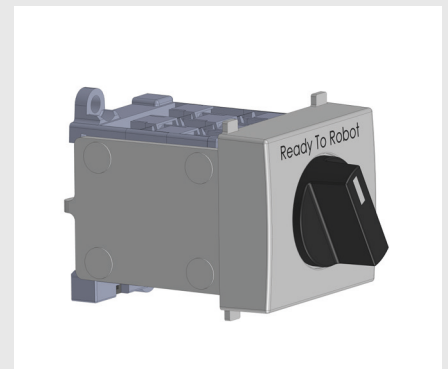


## SONTHEIMER



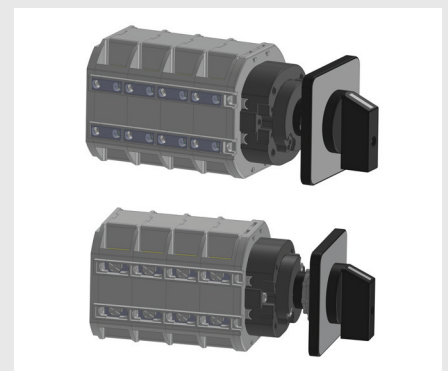
### **READY-TO-ROBOT SWITCH D0/8 25 A**

The automation of single production processes does not only affect global concerns. Also medium sized companies count on robots. With the new developed Ready-to-Robot cover X74R it is possible to mount and wire the switch size D0/8 with 25 A automated. This enables e.g. the fully automated assembly of switch cabinets. Furthermore you can store the Ready-to-Robot switch space saving, because it can be stacked on each other.



### **NEW CAM SWITCH D1/40 UP TO 63 A AND D1/55 UP TO 100 A**

The cam switch D1/40 was overhauled and is now shock proof according IP20 and also licensed after cULus. The switch size D1/55 has the same switch body as the switch D1/40. Due to the heavy duty contact system the 100A switch can be installed at very high AC3- and AC23 values. Therefore the cam switch D1/55 is the most compact switch on the market by far. Also size D1/55 is approved by cULus.



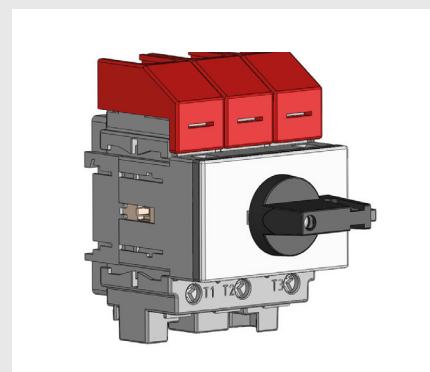
### **MORE ENGRAVING POSSIBILITIES**

For some time we already use most modern laser technology to engrave our products. Besides the wide range of standard engravings, we also can fulfill special customer requirements. Logos, special engravings and clamp markings can be applied to all sizes. Compared to the common printed version, products that were engraved by the laser show a way longer resistiveness of the lettering. In addition, frontplates can be lasered in Chinese and Cyrillic script.



## LX-SWITCH RANGE BY UL489 UP TO 150 A

With the LX-switch range we have customer oriented solutions for the North-American market. The main switches were designed for energy supply and – distribution. They are approved by UL489 and are the most compact solution for energy distribution according UL489 on the market. Thereby construction space, storage- and transport costs will be reduced. For all versions of the switches we also have the accessories conformable to UL508A available, therefore switching off is possible at any time when the door of the switch cabinet is opened.



## PUSH-TO-TURN Z105

With the new developed system Push-to-turn Z105 turning or switching is only possible after conscious pushing of the handle. Through this intent act the safety of this switch will be highly increased. Incidents due to unconscious switching can be prevented effectively. The Push- to-turn system can be applied on all central mountings and is intermateable with all handles and padlocks of DO-size, onload-switches and cam switches as well.



## NEW PRODUCT SERIES IN CCC PORTFOLIO

The LO-switch series is also approved by CCC now. More switch types will follow.

## STAINLESS STEEL ENCLOSURE V2A

In 2019 it is possible for the first time to purchase switches from Sontheimer inside stainless steel enclosures. Our product range will include the stainless steel enclosures in all sizes besides the already known cast metal-, sheet metal and plastic housings. This kind is very light, but also very robust and weather-resistant. After extensive and successful quality tests we will add the stainless steel enclosures on 01.05.2019 to our product range.



**Sontheimer Elektroschaltgeräte GmbH**

Wendelsteiner Straße 5  
91126 Schwabach

Phone: +49 9122 1884 – 0  
Telefax: +49 9122 1884 – 231  
E-Mail: [info@sontheimer.org](mailto:info@sontheimer.org)

**[www.sontheimer.org](http://www.sontheimer.org)**