

Thermoelectric cooler



Accessories for climate control Page 533 Therm software Page 558

Powerful thermoelectric cooling units in a lightweight design for the climate control of command panels and small enclosures.

Material:

– Device: Aluminium, anodised

Colour:

– Cover: RAL 7015

Protection category IP to IEC 60 529:

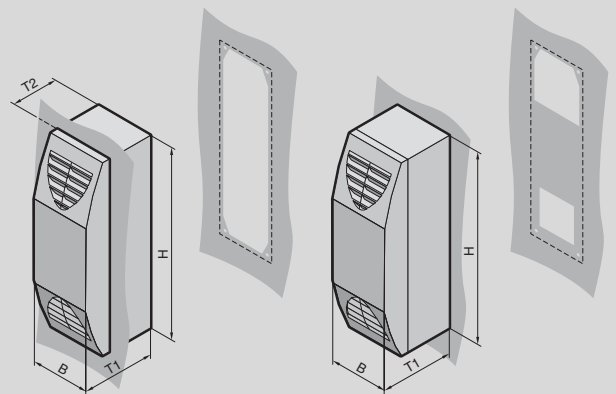
– External circuit IP 34
– Internal circuit IP 54

Supply includes:

- Thermoelectric climate control unit
- Fully wired ready for connection (plug-in terminal strip)
- Mounting accessories
- Filter mat
- USB cable A/B
- Drilling template

Performance diagrams:

Available on the Internet



Total cooling output 80/100 W

Model No.	Packs of	3201.200	3201.300	Page
Rated operating voltage V, ~, Hz		100 - 240, 1~, 50/60	24 (DC)	
Total cooling output L35 L35 W		80 / 80	80	
Total cooling output L35 L30 W		100 / 100	100	
Thermal output W		80	80	
Width (B) mm		125	125	
Height (H) mm		400	400	
Depth (T1) mm		155	155	
Installation depth (T2) mm		100	100	
Operating temperature range		-30 °C...+55 °C	-30 °C...+60 °C	
Setting range, cooling		+5 °C...+55 °C	+5 °C...+55 °C	
Setting range, heating		-10 °C...+20 °C	-10 °C...+20 °C	
Refrigeration factor/COP		0.8	0.9	
Power pack integrated		■	–	
Weight kg		3.3	2.6	
Accessories				
Spare filter mat	5 pc(s).	3201.050	3201.050	535
Condensate hose	1 pc(s).	3301.606	3301.606	544