

RA50C



Compact Remote Access Router

THE RA50C COMPACT REMOTE ACCESS ROUTER PROVIDES SECURE REMOTE ACCESS TO DIAGNOSE AND PROGRAM CONNECTED AUTOMATION EQUIPMENT INCLUDING HMIS, PLCS, AND DRIVES.

MANAGE CONNECTED ASSETS FROM ANYWHERE WITH RLCONNECT24, A CLOUD-BASED PLATFORM THAT MAKES ACCESSING REMOTE EQUIPMENT QUICK.

- ▶ Compact industrial router
- ▶ Initial product setup in under 3 minutes
- ▶ Secure connection to portal via OpenVPN
- ▶ Two configurable digital inputs or digital outputs via on-board I/O
- ▶ Optional 4G LTE cellular support
- ▶ Optional Wi-Fi client support



Ordering Guide

REMOTE ACCESS ROUTERS (AMER)

PART NUMBER	DESCRIPTION
RA50CR0000R000D0	Compact Remote Access Router with LAN/WAN, RLConnect24, DIN Rail Mount (US Server)
RA50CR4A00R00D0	Compact Remote Access Router with LAN/WAN, 4G LTE (Americas, AT&T), RLConnect24, DIN Rail Mount (US Server)
RA50CR0W00R00D0	Compact Remote Access Router with LAN/WAN, Wi-Fi, RLConnect24, DIN Rail Mount (US Server)
RA50CR4E00R00D0	Compact Remote Access Router with LAN/WAN, 4G LTE (Europe/SAARC), RLConnect24, DIN Rail Mount (US Server)

REMOTE ACCESS ROUTERS (EUROPE/SAARC)

PART NUMBER	DESCRIPTION
RA50CR0000R000DA	Compact Remote Access Router with LAN/WAN, RLConnect24, DIN Rail Mount (EU Server)
RA50CR4E00R00DA	Compact Remote Access Router with LAN/WAN, 4G LTE (Europe/SAARC), RLConnect24, DIN Rail Mount (EU Server)
RA50CR0W00R00DA	Compact Remote Access Router with LAN/WAN, Wi-Fi, RLConnect24, DIN Rail Mount (EU Server)
RA50CR4A00R00DA	Compact Remote Access Router with LAN/WAN, 4G LTE (Americas, AT&T), RLConnect24, DIN Rail Mount (EU Server)

RA50C Specifications

Specifications

MANAGEMENT

Easy connection and management from RLConnect24 portal

POWER INPUT

Input Voltage: 10 to 30 VDC

Current Consumption: Max 250 mA @ 24 V

COMMUNICATION PROPERTIES

Ethernet Interfaces:

LAN (Model Specific):

Three (3) 10/100 BASE-T(X) RJ45 ports

Four (4) 10/100 BASE-T(X) RJ45 ports

WAN (Model Specific):

One (1) 10/100 BASE-T(X) RJ45 port

USB Host Port:

One (1) USB Host 2.0 port

ON-BOARD I/O

Configurable Digital Inputs/Outputs: Two (2)

Digital Input: 10 to 30 VDC (low 0 to 3.2, high 8 to 30 VDC)

Digital Output: 10 to 30 VDC to a maximum of 1.5 A per output

NETWORKING CAPABILITIES

VPN Support

VPN Protocols: OpenVPN, 1 Tunnel

Encryption Parameter:

Control Channel: TLSv1.2, cipher ECDHE-RSA-AES256-GCM-SHA384

Data Channel: Cipher 'AES-256-GCM' initialized with 256 bit key

Encryption Algorithms: MD5, SHA1

Authentication: Pre-Shared Key, X.509

Network Security

Firewall: 1:1, IP-Filter, port forwarding, stateful inspection

IP Router: NAT-IP, TCP/IP routing, IP forwarding

Services: DHCP client, NTP client

Time Synchronization: NTP server

CELLULAR CAPABILITIES (MODEL SPECIFIC)

Compatible Countries: United States

Compatible Cellular Carriers: AT&T

Antenna Connectors: Two (2) SMA Connectors

FCC: Contains FCC ID: R17LE910NA

TECHNOLOGY	BANDS	FREQUENCIES	ANTENNA CONFIGURATION
LTE	2, 4, 5, 17	700/850/1700/1900 MHz	MIMO Required
HSxPA	2, 5	850/1900 MHz	Div. Support
GSM/GPRS/EDGE		850/1900 MHz	

Compatible Countries: Europe

Antenna Connectors: Two (2) SMA Connectors

TAC: 35162207

TECHNOLOGY	BANDS	FREQUENCIES	ANTENNA CONFIGURATION
LTE	1, 3, 7, 8, 20	800/900/1800/2100/2600 MHz	MIMO Required
HSxPA	1, 8	900/2100 MHz	Div. Support
GSM/GPRS/EDGE	3, 8	900/1800 MHz	

Wi-Fi CAPABILITIES (MODEL SPECIFIC)

Wi-Fi Compliance - IEEE802.11

USA Frequencies/Channels: 2.412 - 2.462 GHz, 1 - 11 channels

WPA/WP2, 64/128/152bit WEP, WPS

802.11b: 1,2,5,5,11 Mbps

802.11g: 6,9,12,18,24,36,48,54 Mbps

802.11n: (20 MHz) MCS0-7, up to 72 Mbps

802.11n: (40 MHz) MCS0-7, up to 150 Mbps

FCC: Contains FCC ID: YWTWFXM05

ENVIRONMENTAL

Operating Temperature Range: -40 to 75 °C (WAN and Cellular models)

Operating Temperature Range: 0 to 60 °C (Wi-Fi model)

Storage Temperature: -40 to 85 °C

Operating and Storage Humidity: 0 to 95% max. RH non-condensing

CERTIFICATION & COMPLIANCE

UL Listed: File # E482663

CE mark does not apply to models with AT&T cellular option. As such, these modems must not be operated or commissioned in the European Economic Area (EEA).

CONSTRUCTION

Metal enclosure with IP30 rating (when all ports are populated).

Weight: 8.47 oz (240 g)

MOUNTING

DIN Rail: Attaches to standard "T" profile DIN rail according to

EN50022 - 35 x 7.5 and 35 x 15

WARRANTY

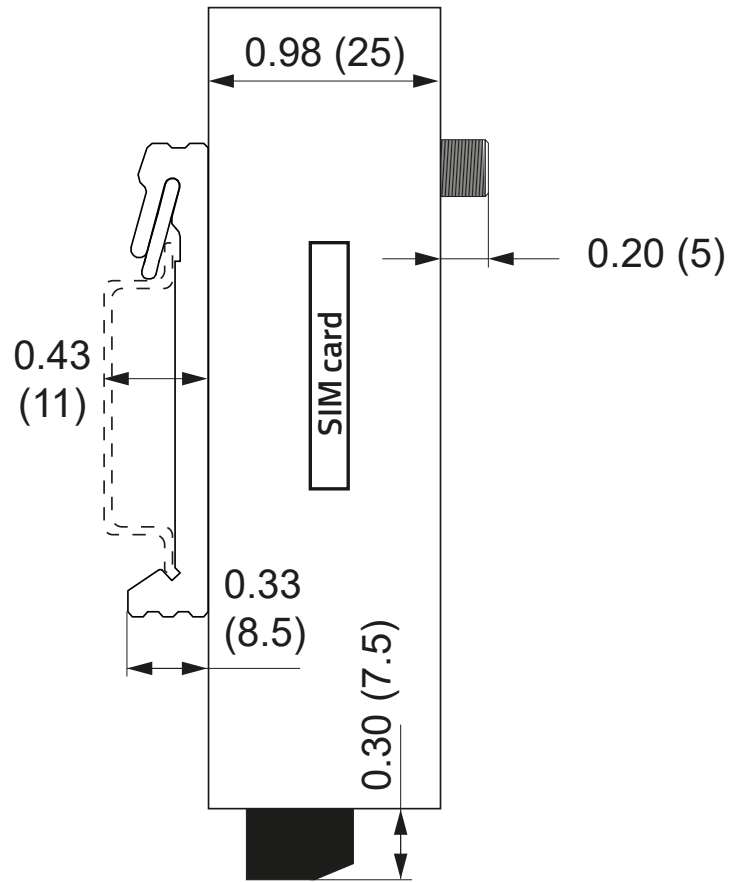
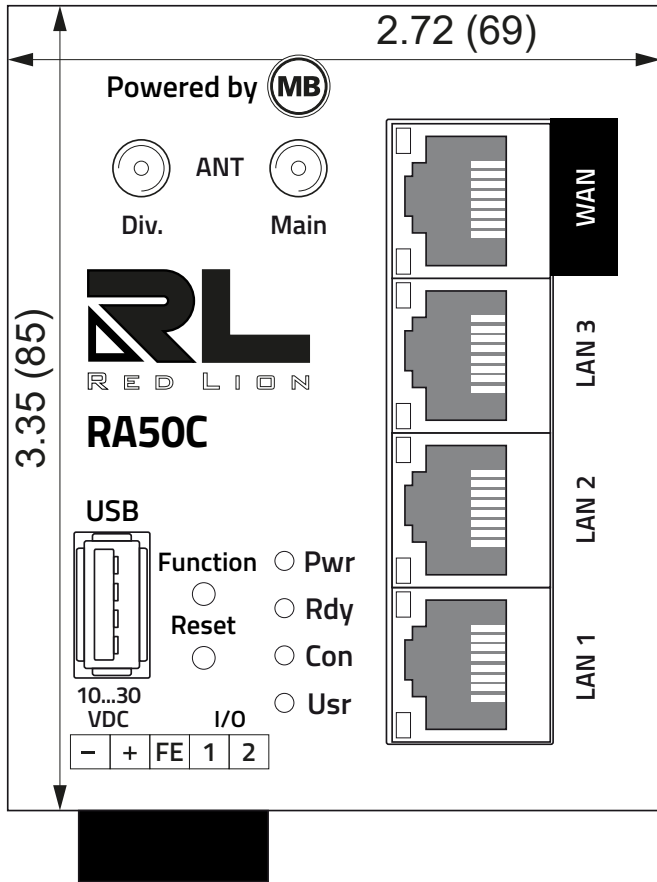
1 year on design and manufacturing defects.

Specifications are subject to change.

Visit www.redlion.net for more information.

RA50C Dimensions

Dimensions In inches (mm)



Red Lion has been delivering innovative solutions to global markets since 1972 through communication, monitoring and control for industrial automation and networking - enabling companies worldwide to gain real-time data visibility that drives productivity. Red Lion is part of Spectris plc, the productivity enhancing instrumentation and controls company.

© 2020-2021 Red Lion Controls, Inc. All rights reserved. Red Lion and the Red Lion logo, are registered trademarks of Red Lion Controls, Inc. All other company and product names are trademarks of their respective owners.

www.redlion.net
[contact us](#)