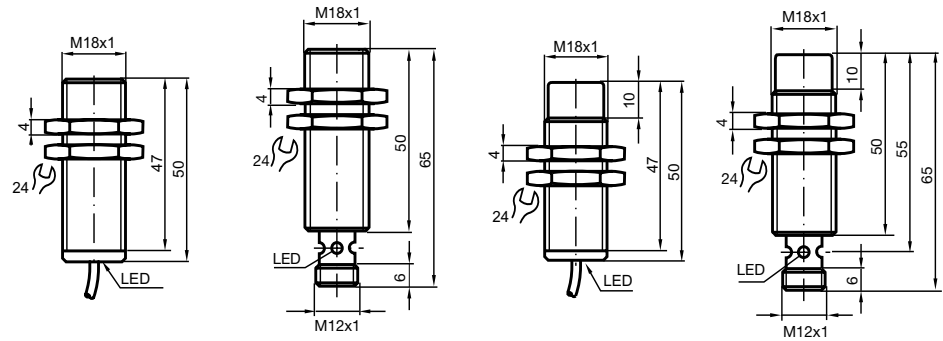


Cylindrical Type

DC

3-wire

Basic series
5 mm embeddable
8 mm not embeddable

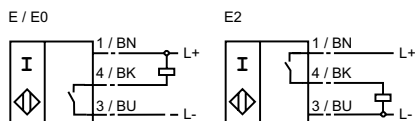


CE

Rated operating distance s_n	5 mm	5 mm	8 mm	8 mm
Installation	embeddable	embeddable	not embeddable	not embeddable
PNP Make function	NBB5-18GM50-E2	NBB5-18GM50-E2-V1	NBN8-18GM50-E2	NBN8-18GM50-E2-V1
NPN Make function	NBB5-18GM50-E0	NBB5-18GM50-E0-V1	NBN8-18GM50-E0	NBN8-18GM50-E0-V1
Assured operating distance s_a	0 ... 4,05 mm	0 ... 4,05 mm	0 ... 6,48 mm	0 ... 6,48 mm
Reduction factor r_{AI}	0,3	0,3	0,5	0,5
Reduction factor r_{Cu}	0,3	0,3	0,4	0,4
Reduction factor r_{V2A}	0,7	0,7	0,7	0,7
Operating voltage U_B	10 ... 30 V	10 ... 30 V	10 ... 30 V	10 ... 30 V
Operating current I_L	0 ... 200 mA	0 ... 200 mA	0 ... 200 mA	0 ... 200 mA
Switching frequency f	800 Hz	800 Hz	500 Hz	500 Hz
No-load supply current I_0	20 mA	20 mA	18 mA	18 mA
Off-state current I_r	0,5 mA	0,5 mA	0,5 mA	0,5 mA
Voltage drop U_d	3 V	3 V	3 V	3 V
Short circuit protection	pulsing	pulsing	pulsing	pulsing
Polarity reversal protected	yes	yes	yes	yes
Indication of the switching state	all direction LED, yellow	ring LED, yellow	all direction LED, yellow	ring LED, yellow
Standard conformity	EN 60947-5-2	EN 60947-5-2	EN 60947-5-2	EN 60947-5-2
Ambient temperature	-25 ... 70 °C	-25 ... 70 °C	-25 ... 70 °C	-25 ... 70 °C
Protection degree	IP67	IP67	IP67	IP67
Connection type	2 m, PVC-cable	V1-connector	2 m, PVC-cable	V1-connector
Core cross-section	0,34 mm ²	-	0,34 mm ²	-
Housing material	brass, nickel plated	brass, nickel plated	brass, nickel plated	brass, nickel plated
Sensing face	PBT	PBT	PBT	PBT

Connection:

08.11.2000 S1 S1-induktiv-d.tif



inductive proximity switches