

LUTZE Signal Converters



Analogue Converters / Isolators

To convert industry standard signals from one standard to another and/or provide complete isolation.

Temperature Converters

To convert industry signals from temperature sensors into industry standard transmission signals.

Protocol Converters

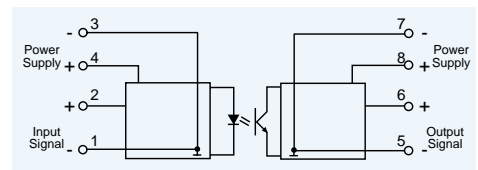
To convert industry communication standard RS232 to RS422 (485) to extend the transmission distance between computer peripherals/PLCs.

In industrial applications a number of signals have to be exchanged between controllers and field sensors. There are a number of standards which necessitate the conversion of signals, the Lutze range of signal converters provides the solutions.

INPUT	0-20mA	4-20mA	0-10V
-------	--------	--------	-------

ANALOGUE CONVERTERS / ISOLATORS 24DC (4000V input/output isolation)

INPUT	0-20mA	4-20mA	0-10V
0-20mA	730900	730903	730901
4-20mA	730904	730900	730902
0-10V	730906	730907	730905



Signal Converter / Isolator Connection diagram.

TEMPERATURE CONVERTERS 24DC

THERMOCOUPLE TYPE K (0-1000°C)	730980	730981	-
THERMOCOUPLE TYPE J (0-700°C)	730978	730979	-
PT100 (200+800°C)	730972	730973	730983

Temperature range can be customer specified.

TYPE	PART NO.
------	----------

PROTOCOL CONVERTERS 24DC

RS232 (V.24) to RS422 (485) V.11	750206
----------------------------------	--------

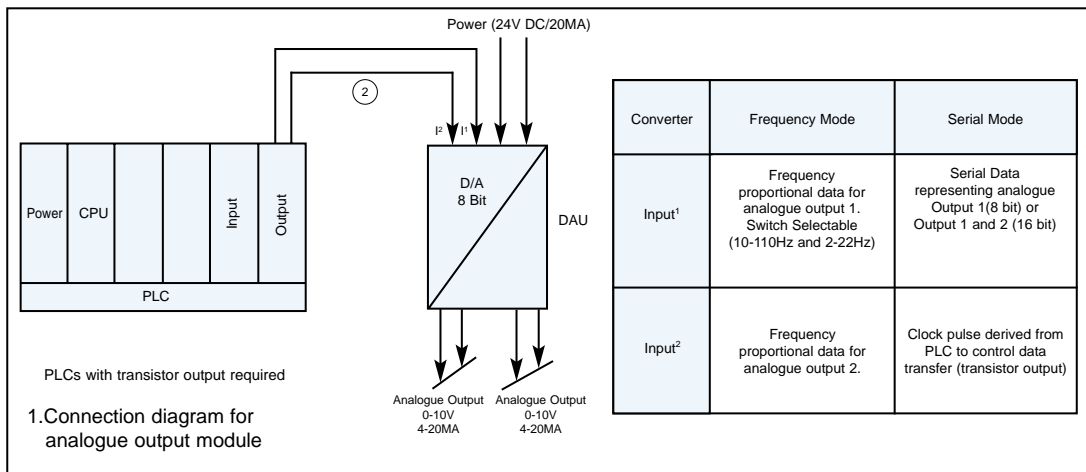
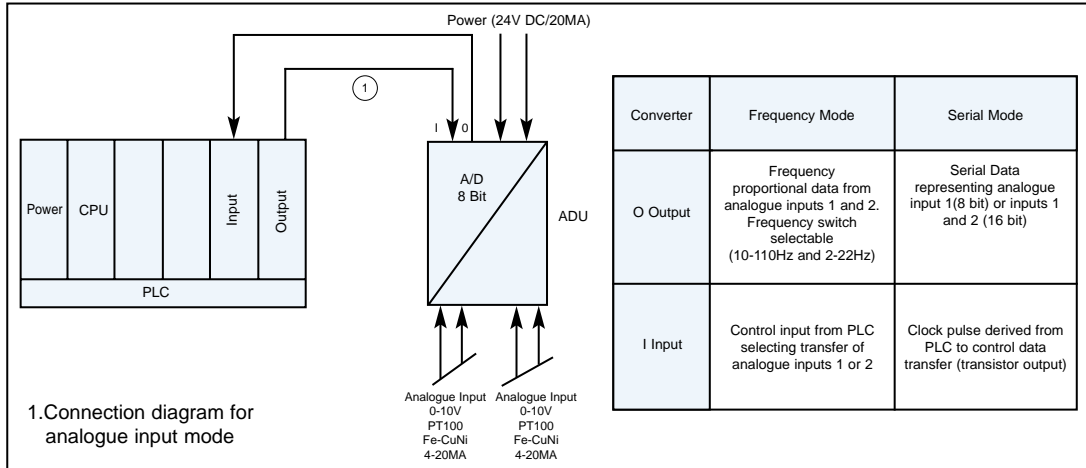
2.5kV Isolation suitable for RS485 point to point connection.
Transmission distance 1.2km

See Lutze Catalogue 3: Interface Technology for complete range and specifications.

LUTZE Signal Converters

CUSTOMER
SPECIFIC
DESIGNS
AVAILABLE

The Lutze Analogue Serial Converter converts an analogue signal into a digital value. It sends this value either frequency proportionally or as serial data to (or from) a PLC. The mode of signal transmission is switch selectable. The modules are ideal for providing analogue inputs for micro PLCs and providing cost effective analogue I/O for larger systems.



INPUT	PART NO.
<i>ANALOGUE INPUT MODULE (2 CHANNELS)</i>	
0-10V	739090
4-20mA	739096
PT100 (0-100°C)	739081
J TYPE	739085
K TYPE	739088

OUTPUT	PART NO.
<i>ANALOGUE OUTPUT MODULE (2 CHANNELS)</i>	
0-10V	739290
4-20mA	739296



See Lutze Catalogue 3: Interface Technology for complete range and specifications.