

# New Expanded Linear Motor Series

A Wide-ranging Lineup Comprised of Models of Various Sizes

# LSA

## LSA Linear Servo Actuator: Designed for Various Applications

Maximum speed of 2500 mm/s, maximum acceleration/deceleration of 3 G, load capacity of 120 kg, and maximum stroke of 4 m

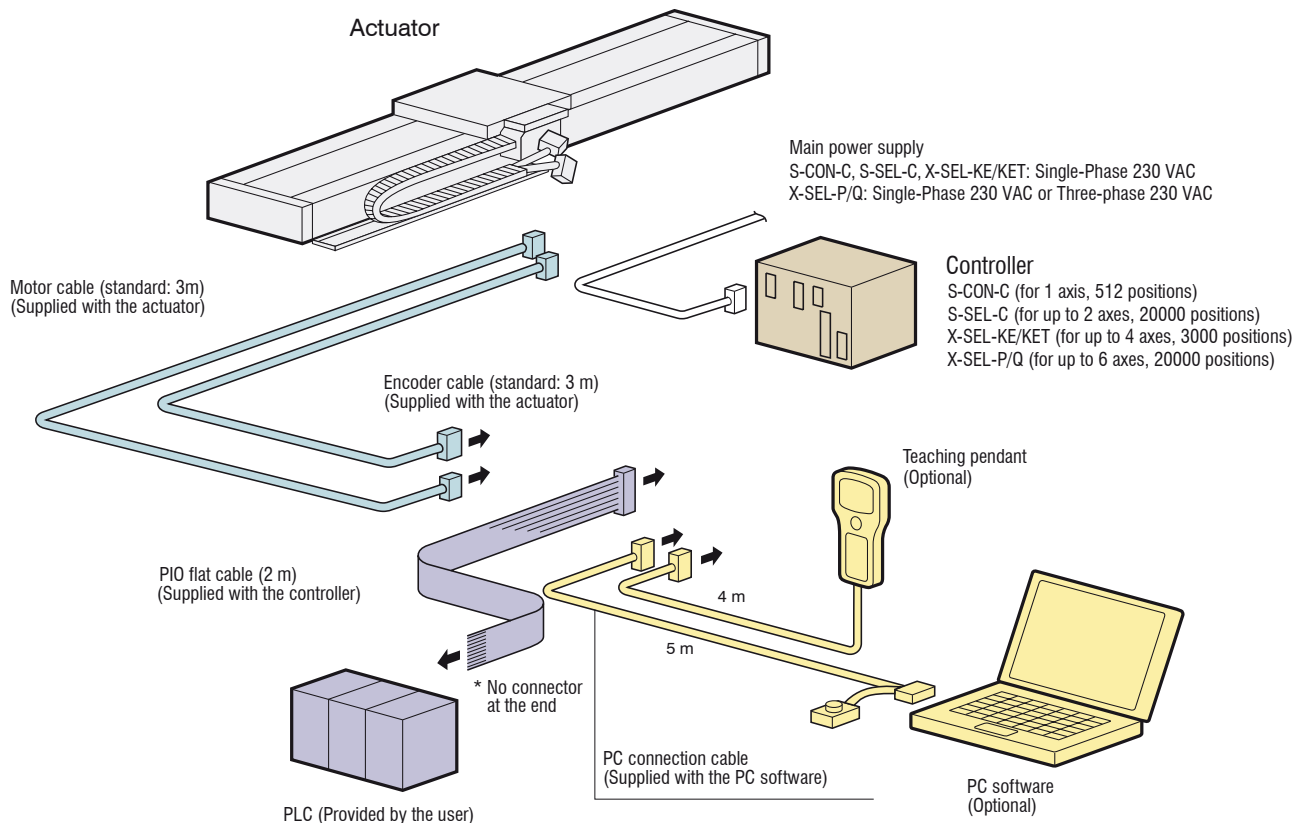
- Compact, lightweight shaft type
- Small, flat-motor type that achieves high thrust with a slim body
- Flat type ideal for installation in a vertically limited space
- Medium type offering high moment rigidity
- Large type capable of transferring loads of up to 120 kg for as far as 4 m



Choose from three controller types supporting three different control methods: positioner control, pulse-train control and program control.



### System Configuration Diagram



**Technical Data Table**

|             | Type       | Type name | Width (mm) | Thrust design | Number of sliders | Stroke (mm) | Rated Thrust (N) | Max. Payload (kg) | Max. Speed (mm/s) | Applicable Driver Output (W) |
|-------------|------------|-----------|------------|---------------|-------------------|-------------|------------------|-------------------|-------------------|------------------------------|
| Shaft Type  |            | S6SS      | 60         | Standard      | Single            | 48~1248     | 15               | 3                 | 2500              | 100                          |
|             |            | S6SM      |            |               | Multi             | 40~1048     |                  |                   |                   |                              |
|             |            | S8SS      | 80         | Standard      | Single            | 60~1620     | 25               | 5                 |                   | 100                          |
|             |            |           |            |               | S8SM              | Multi       |                  |                   |                   |                              |
|             |            | S8HS      | High       | Single        | 60~1620           | 35          | 7                |                   |                   |                              |
|             |            |           |            | S8HM          | Multi             |             |                  | 60~1380           |                   |                              |
|             |            | S10SS     | 100        | Standard      | Single            | 90~2070     | 65               | 15                |                   | 200                          |
|             |            |           |            |               | S10SM             | Multi       |                  |                   |                   |                              |
|             |            | S10HS     |            | High          | Single            | 90~2070     | 80               | 20                |                   |                              |
|             |            |           |            |               | S10HM             | Multi       |                  |                   |                   |                              |
|             | Small Type |           | 80         | Standard      | Single            | 50~1650     | 30               | 5                 |                   | 200                          |
|             |            |           |            |               | H8SM              | Multi       |                  |                   |                   |                              |
| High        |            |           | Single     | 50~1550       | 60                | 8           |                  |                   |                   |                              |
|             |            |           | H8HM       | Multi         |                   |             | 130~1230         |                   |                   |                              |
| Flat Type   |            | 145       | Standard   | Single        | 150~1650          | 30          | 5                | 200               |                   |                              |
|             |            | L15SM     |            | Multi         | 50~1450           |             |                  |                   |                   |                              |
| Medium Type |            | NEW N10SS | 100        | Standard      | Single            | 100~4100    | 54               | 15                | 100               |                              |
|             |            | NEW N10SM |            |               | Multi             | 100~3900    |                  |                   |                   |                              |
|             |            | NEW N15SS | 150        | Standard      | Single            | 150~4100    | 86               | 20                | 200               |                              |
|             |            | NEW N15SM |            |               | Multi             | 150~3950    |                  |                   |                   |                              |
|             |            | NEW N15HS |            | High          | Single            | 100~4100    | 125              | 30                |                   |                              |
|             |            | NEW N15HM |            |               | Multi             | 150~3850    |                  |                   |                   |                              |
|             |            | N19SS     | 193        | Standard      | Single            | 144~2592    | 100              | 30                | 300               |                              |
|             |            |           |            |               | N19SM             | Multi       |                  |                   |                   | 72~2232                      |
| Large Type  |            | 210       | Standard   | Single        | 1050~4155         | 200         | 60               | 400               |                   |                              |
|             |            |           |            | W21SM         | Multi             |             |                  |                   | 730~3835          |                              |
|             |            | High      | Single     | 895~4000      | 400               | 120         | 1000             |                   |                   |                              |
|             |            |           | W21HM      | Multi         |                   |             |                  | 420~3525          |                   |                              |