

GOT SIMPLE function list

Screen design

- Figure/object functions
- Figure
- Logo text
- Touch switch
- Lamp
- Numerical display, Numerical input
- Text display, Text input
- Date display, Time display
- Comment display
- Parts display
- Parts movement
- Historical data list display **Coming soon**
- Simple alarm display
- Alarm display (user)
- Level
- Panelmeter
- Line graph
- Trend graph
- Bar graph
- Statistic bar graph
- Statistic pie graph
- Scatter graph
- Historical trend graph
- Functions performed on background of GOT
- Logging
- Recipe
- Device data transfer
- Trigger action
- Time action
- Hard copy (File output/Serial printer output)
- Project/screen script
- Functions used with peripheral devices
- Barcode function
- RFID function **Coming soon**
- Report function (Serial printer output) **Coming soon**

GOT functions

- Base screen
- Overlap window
- Superimpose window
- Dialog window
- Key window
- Language switching
- System information
- Security
- Startup logo
- FA transparent
- Multi-channel function
- Station No. switching
- Backup/Restore **Coming soon**

Debug functions

- Device monitor
- MELSEC-FX list editor

Mitsubishi Electric Graphic Operation Terminal

p Power supply specifications

Item	Specifications	
	GS2110-WTBD	GS2107-WTBD
Power supply voltage	24VDC (+10%, -15%), ripple voltage 200mV or less	
Power consumption	7.6W (317mA/24V) or less	6.5W (271mA/24V) or less
With backlight off	3.8W (158mA/24V) or less	3.8W (158mA/24V) or less
Inrush current	17A or less (6ms, 25°C, maximum load)	
Allowable momentary power failure time	Within 5ms	
Noise immunity	Conforms to IEC61000-4-4, 2kV (power supply line)	
Withstand voltage	350VAC for 1 minute between power supply and ground	
Insulation resistance	10MΩ or higher with an insulation resistance tester (500VDC between power supply terminal and ground)	

p Performance specifications

Item	Specifications	
	GS2110-WTBD	GS2107-WTBD
Display device	TFT color LCD	
Screen size	10"	7"
Resolution	800 x 480 [dots]	
Display size	222(8.74)(W) x 132.5(5.22)(H) [mm] (Horizontal format)	154(6.06)(W) x 85.9(3.38)(H) [mm] (Horizontal format)
Number of characters	16-dot standard font: 50 chars. x 30 lines (2-byte) (Horizontal format)	
Display color	65536 colors	

Backlight

Type	LED (not replaceable)
Key size	Backlight off/screen saving time can be set.
Simultaneous press	Analog resistive film
Life	Minimum 2 x 2 dots (per key)
Life	1 million times (operating force 0.98N or less)

Memory

C drive	Flash memory (internal) (9MB), for storing project data, OS
Life (No. of writings)	100,000 times

Built-in interface

RS-422	RS-422, 1ch Transmission speed: 115200/57600/38400/19200/9600/4800bps Connector shape: D-Sub 9-pin (female) Application: For communication with controllers
RS-232	RS-232, 1ch Transmission speed: 115200/57600/38400/19200/9600/4800bps Connector shape: D-Sub 9-pin (male) Application: For communication with controllers and a barcode reader
Ethernet	Data transfer method: 100BASE-TX, 10BASE-T, 1ch Connector shape: RJ-45 (modular jack) Application: For connecting a personal computer (Project data read/write, FA transparent function)
USB	USB (Full Speed 12Mbps), 1ch Connector shape: Mini-B Application: For connecting a personal computer (Project data read/write, FA transparent function)
SD card	SD compliant, 1ch Supported memory card: SDHC memory card, SD memory card Application: Project data read/write, logging data save

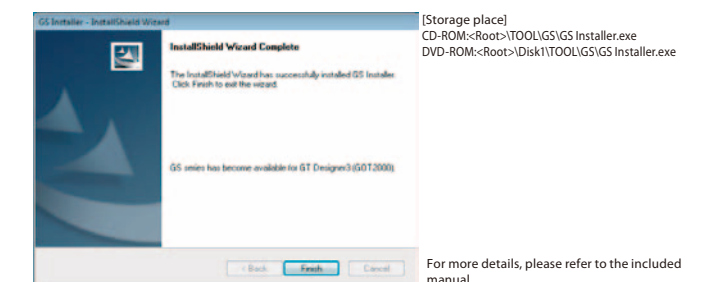
Buzzer output

Protective structure	Single tone (LONG/SHORT/OFF adjustable)
External dimensions	IP65F (Only the front part of the panel)
Weight	Approx. 1.3kg (excl. mounting brackets)
Compatible software package	Version 1.104J or later * (English Version)

*: Installation of GS installer is required.

p GS installer installation procedure

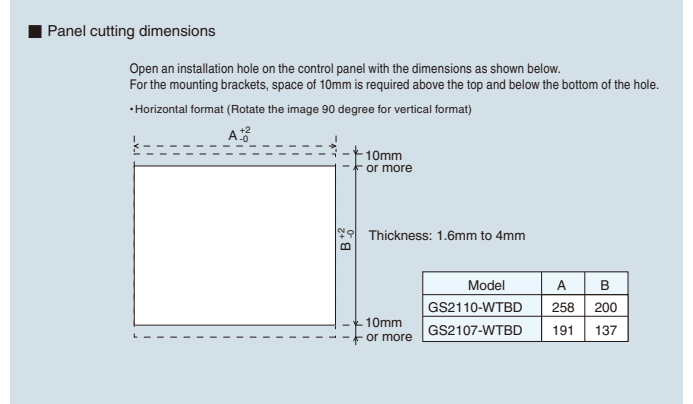
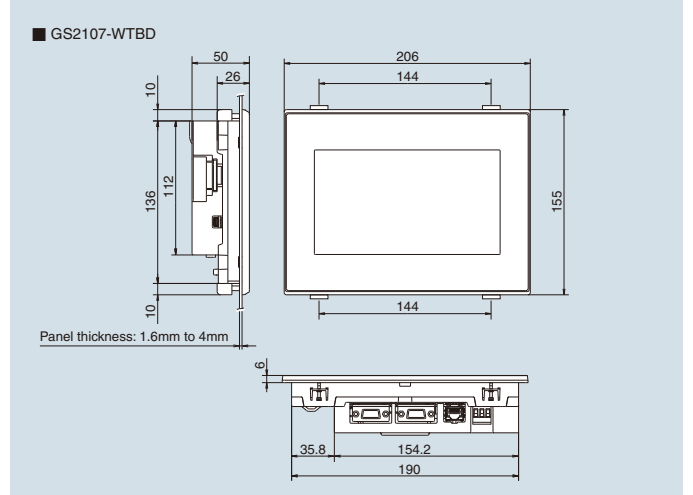
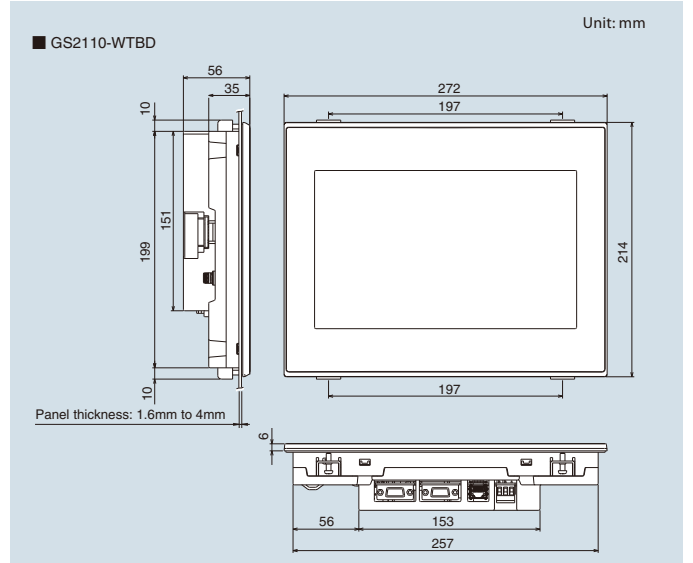
- Double click the GS Installer (GS Installer.exe) in the folder of GT Works3 Ver. 1.104J or later. Operate the personal computer in accordance with instructions given on the screen.
- When the completion screen appears, click the [Finish] button to finish installing the GS Installer.



For more details, please refer to the included manual.

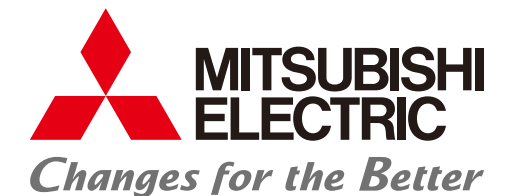
- For safe use**
- To use the products given in this document properly, always read the related manuals before starting to use them.
 - Please note that repair service of this product is different from other products.

p External dimensions



The actual display may differ from what are shown on GOT screen images in this catalog.

- Trademarks and registered trademarks**
- ETHERNET is a registered trademark of Xerox Corp.
 - SD and SDHC Logos are registered trademarks or trademarks of SD-3C, LLC.
 - Other product and company names are either trademarks or registered trademarks of their respective owners.



for a greener tomorrow

New Product Release

Graphic Operation Terminal GOT SIMPLE

GOT SIMPLE

Graphic Operation Terminal

Standard interfaces

- RS-422
- RS-232
- Ethernet
- SD card slot

7 inch WVGA 800x480 dots **GS2107-WTBD**

10 inch WVGA 800x480 dots **GS2110-WTBD**

Interaction with various industrial devices

Mitsubishi industrial devices interaction solutions
In addition to various built-in functions, direct connection between Mitsubishi industrial devices will improve productivity and reduce costs.

Control

The MELSEC Series has been designed based on a passion for monozukuri (creation), trustworthy technology and reliability. This concept also applies to system installation and operation. With various I/O functions as standard inclusions, the MELSEC Series serves to improve work efficiency by realizing convenience, ease-of-use, and diverse control.

Positioning

Mitsubishi Servo System - advanced and flexible. Mitsubishi servo has a variety kind of motors (rotary, linear and direct drive motors) in order to achieve the best machine performance.

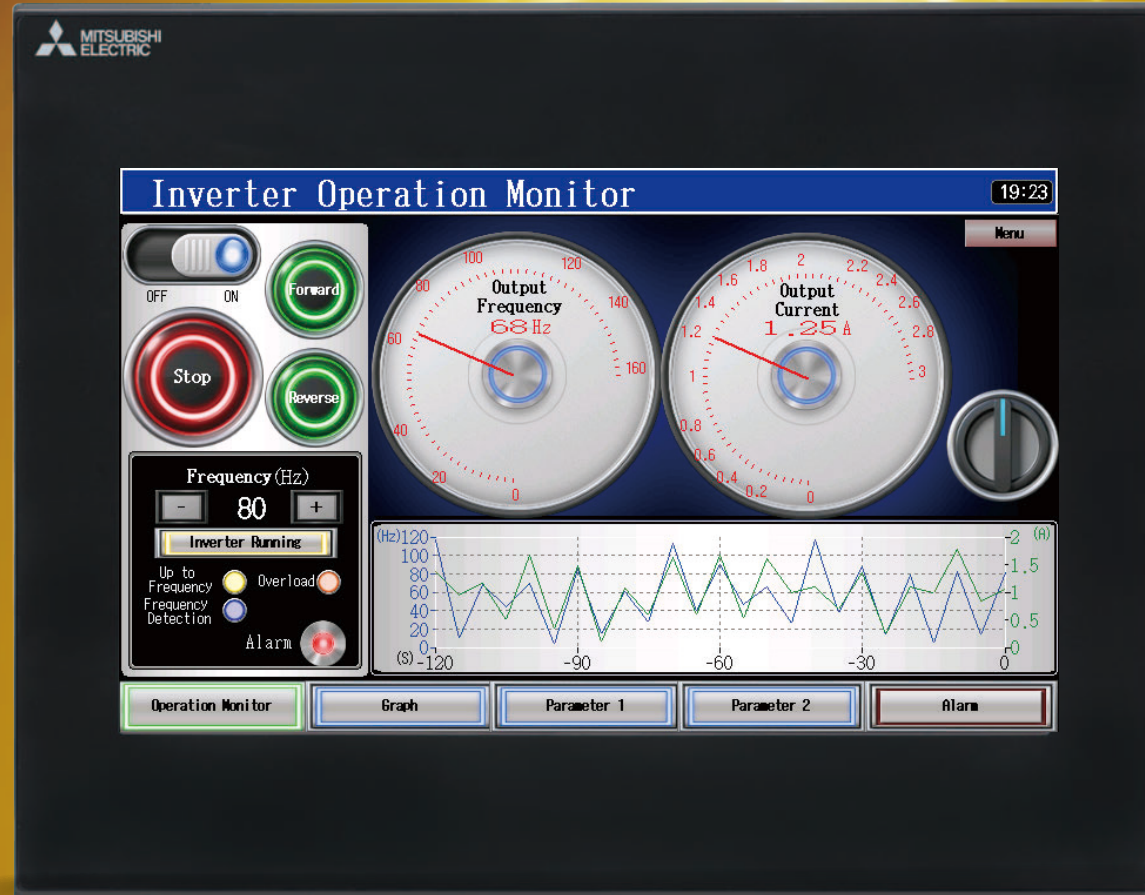
Drive

A diverse product range helps you make the right product choice. An inverter can be used to easily change rotating speed of three-phase induction motor. Environmentally friendly, high-performance inverters also support global standards. You can choose the best one from a variety of line-up in accordance with the application.

* : Connection with GOT SIMPLE will be supported soon.

GOT SIMPLE Debut

Simple, high functioning, and user friendly model for a reliable system.



10 inch GS2110-WTBD
WVGA 800x480 dots

7 inch GS2107-WTBD
WVGA 800x480 dots

Major functions

Resolution WVGA 800x480 dots	User memory 9MB	TFT 65536 colors
Built-in RS-422, RS-232 ports	Built-in Ethernet port	Built-in USB device port
Built-in SD card slot	IP65F Protective structure	Vertical display



SD card slot
SDHC compliant for large volume data

Logging function
GOT SIMPLE collects the data from multiple devices!
GOT SIMPLE manages the data of all connected industrial devices. The data can be collected at an arbitrary timing and can be used for data analysis and feedback.

Historical trend graph
• The data collected by the logging function can be displayed in a graph.
• The data can be checked easily by scrolling or specifying time.

Start from memory card
Useful for replacement or maintenance of GOT SIMPLE
Transfer the screen data and all the necessary system data to make a GOT SIMPLE operate to a memory card in advance. By just inserting the memory card, the GOT SIMPLE can be started quickly.

Startup on-site without special knowledge

USB device
Compact Mini-B connector

GOT Screen Design Software MELSOFT GT Works3+plus
GOT SIMPLE screens can be designed with GT Works3 Ver.1.104J or later.

Ethernet port
Multi-channel with various equipment

Multi-channel function
Use GOT SIMPLE to control industrial devices!
Up to 2 industrial devices can be controlled with one GOT SIMPLE. The data can be easily transferred between devices with just simple settings in GT Works3.

FA transparent function
Sequence programs and parameters can easily be modified at the worksite
The GOT SIMPLE acts as a transparent gateway to enable programming, start up, and adjustment of Mitsubishi industrial devices. Users do not have to bother with changing cable connections.

GOT SIMPLE can be installed vertically.
Easily installed on compact equipment!
By using a GOT SIMPLE vertically, it can be easily installed on compact equipment and can neatly display vertical letters.

RS-422, RS-232
Communication ports

MELSEC-FX list editor
Convenient for minor onsite program changes
GOT SIMPLE allows minor program changes onsite. MELSEC-FX series PLC sequence programs can be edited in list format.

MELSEC-FX programs can be edited only by using a GOT SIMPLE

Recipe function
Convenient for frequent changeover
Recipe information such as material blend and machine conditions are saved in the GOT SIMPLE. This information can be written from the GOT SIMPLE to programmable controllers. Adjusted data can also be read and stored in the GOT SIMPLE.

Operator authentication function
Enhanced security control using password control
Setting the level (authority) of operation and display for each operator can strengthen security and prevent operation errors.

Operator name:

Password: