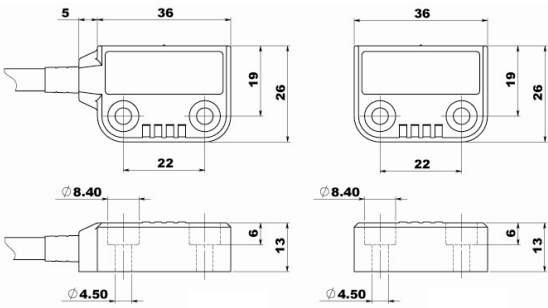
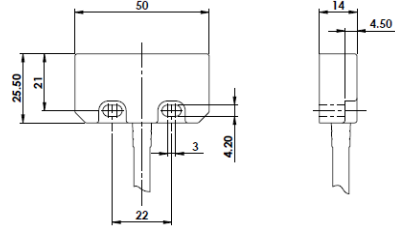


Non Contact Magnetic Safety Switches



MPR MMR-H

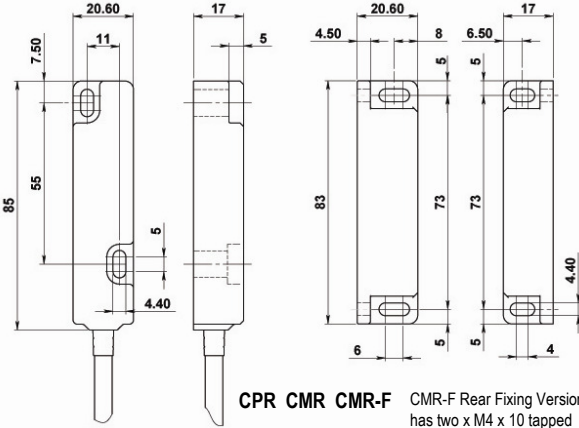
MMR-H version has two 5mm through holes. Hexagon head bolts can be used for ease of cleaning.



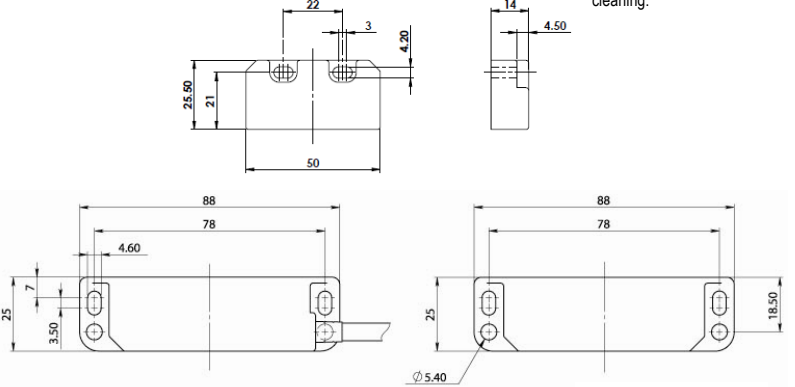
SPR SMR

SMC-F rear fixing version has two M4 x 10mm tapped holes at the rear of housings.

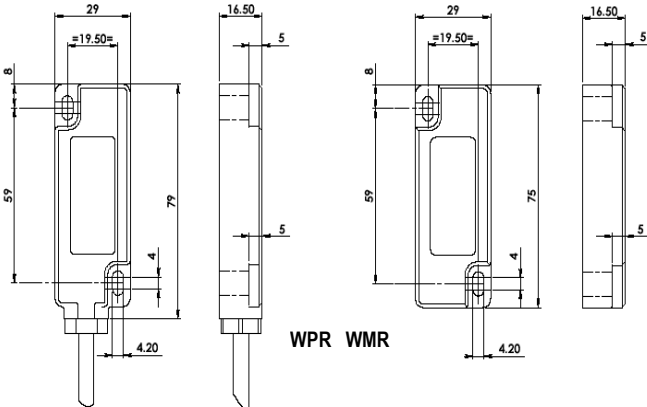
SMC-H version has two 5mm through holes. Hexagon head bolts can be used for ease of cleaning.



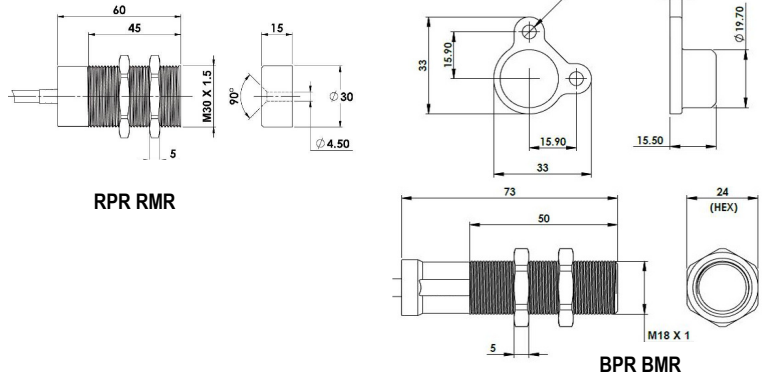
CPR CMR CMR-F CMR-F Rear Fixing Version has two x M4 x 10 tapped holes at rear.



LPR LMR



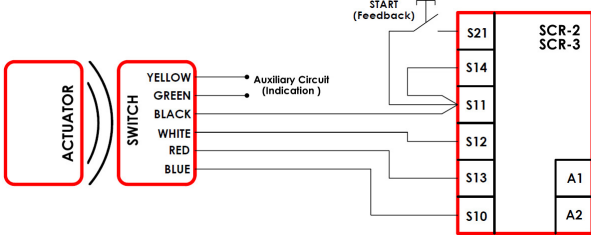
WPR WMR



RPR RMR

BPR BMR

Single switch to SCR-2 or SCR-3 Safety Relay



Safety Classification and Reliability Data:

ISO 13849-1

Up to PLe Category 4 (if both channels are used with a PLe control device)
3,300,000 cycles at 100mA load
8 cycles/hour 24 hours/365 days per year
MTTFd is 470 years

Technical Data:

Standards:

ISO14119 EN60947-5-3 EN60204-1 ISO13849-1 UL508

MPR MMR-H RPR RMR BPR BMR

Safety Circuits NC

240V.ac / 24V.ac/dc 1.0 A. max.

SPR SMR LPR LMR CPR/CMR (2NC)

Safety Circuits NC

240V.ac / 24V.dc 1.0 A. max.

WPR WMR CPR/CMR (1NC)

Safety Circuits NC

240V.ac / 24V.dc 2.0 A. max.

Auxiliary Circuits NO

(Fuse externally 1.6A. (F). 24V.ac/dc 0.2A. max.

Contact release time

<2ms

Initial contact resistance

<500 milliohm

Minimum switched current

10V. dc 1mA

Dielectric withstand

250V.ac

Insulation Resistance

100 Mohms

Recommended setting gap

5mm

NC Switching Distance:

Sao 8mm (BPR / BMR 7mm)

(Target to target)

Sar 20mm

NO Switching Distance

Opens before NC circuits close

Tolerance to misalignment

5mm in any direction from 5mm setting gap

Switching frequency

1.0 Hz maximum

Approach speed

200mm/m. to 1000mm/s.

Body Material

MPR SPR CPR LPR WPR RPR BPR Polyester

SMR SMR-F SMR-H WMR CMR CMR-F RMR

MMR-H BMR S/Steel 316

Temperature Range

-25/80C. 105C. S/Steel for CIP/SIP cleaning

Enclosure Protection

IP67 and IP69K

(QC versions IP67 for connector)

PVC 6.0mm OD Conductors 0.25 sq.mm

Cable Mounting Bolts

2 x M4 Tightening torque 1.0 Nm

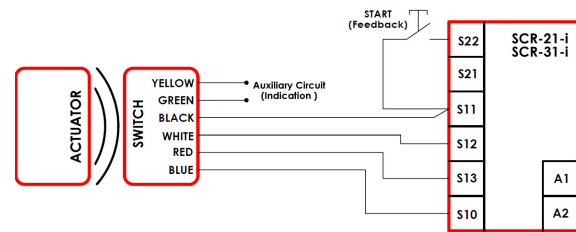
Information with regard to UL 508:

Type 1 Enclosures.

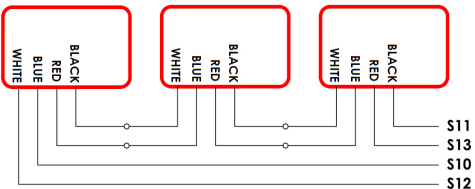
Maximum temperature: 80°C Plastic versions, 70°C S/Steel versions.

Maximum output 24V.dc 200mA. Powered by Class 2 or equivalent.

Single switch to SCR-21-I or SCR-31-I Safety Relay (Viper range)



Connecting in series to SCR range



Alternative QC pin out versions:

