



Identification	Type	CPSRM50
	Part-No.	722999
Description	Redundant module 12 to 85 V, 50 A Potential-free signalling contact Status LED per input	

25.08.2017 – Subject to technical modification

Part-No. 722999

USA: LUTZE INC.

13330 South Ridge Drive • Charlotte, NC 28273, USA
Tel. +1 (704) 504-0222 • Fax +1 (704) 504-0223
www.lutze.com • info@lutze.com

United Kingdom: LÜTZE Ltd.

Unit 3, Sandy Hill Park
Sandy Way, Amington • GB-Tamworth, Staffs B77 4DU
Tel. +44 (0)1827 31333-0 • Fax +44 (0)1827 31333-2
www.lutze.com • sales.gb@lutze.co.uk



SYSTEMATIC TECHNOLOGY

Technical data sheet • Power supply

Input

No. of inputs	2
Operation voltage range	DC 12–85 V
No. of inputs	2
Rated current I_N	max. 50 A per input

Output

Max. output current	300 A
Voltage drop	<0.2 V
Heat dissipation	max. 10 W
Status indication DC ON LED green	IN1, IN2 OK
Status indication DC ON LED red	Redundancy error
Overtemperature protection	No
Over voltage protection	No

Monitoring

DC ON Control (Rdy)	N/O contact
Switching voltage	AC 300 V / DC 24 V
Switching current	AC/DC 1 A
Switching capacity	300 VA / 30 W
Isolation voltage	DC 100 V

General

Operation temperature range	-20 °C ... +50 °C
Storage temperature range	-25 °C ... +85 °C
Cooling	Air convection
Housing material	Aluminum
Mounting	DIN rail mountable TS35 (EN 60715)
Installation position	vertical
Shock resistance	30 g 6 ms, 20 g 11 ms, 3 shocks/direction, 18 shocks in total, IEC60068-2-27: 2008
Vibration resistance	5 – 17.8 Hz: ± 1.6 mm, 17.8 – 500 Hz: 2 g 2 hours/axes X,Y,Z, IEC 60068-2-6: 2007
Protection class	IP20 (IEC 529, EN 60529)
Over voltage category	II
Degree of pollution	2
Weight	0.200 kg/piece

25.08.2017 – Subject to technical modification

Part-No. 722999

USA: LUTZE INC.

13330 South Ridge Drive • Charlotte, NC 28273, USA
Tel. +1 (704) 504-0222 • Fax +1 (704) 504-0223
www.lutze.com • info@lutze.com

United Kingdom: LÜTZE Ltd.

Unit 3, Sandy Hill Park
Sandy Way, Amington • GB-Tamworth, Staffs B77 4DU
Tel. +44 (0)1827 31333-0 • Fax +44 (0)1827 31333-2
www.lutze.com • sales.gb@lutze.co.uk

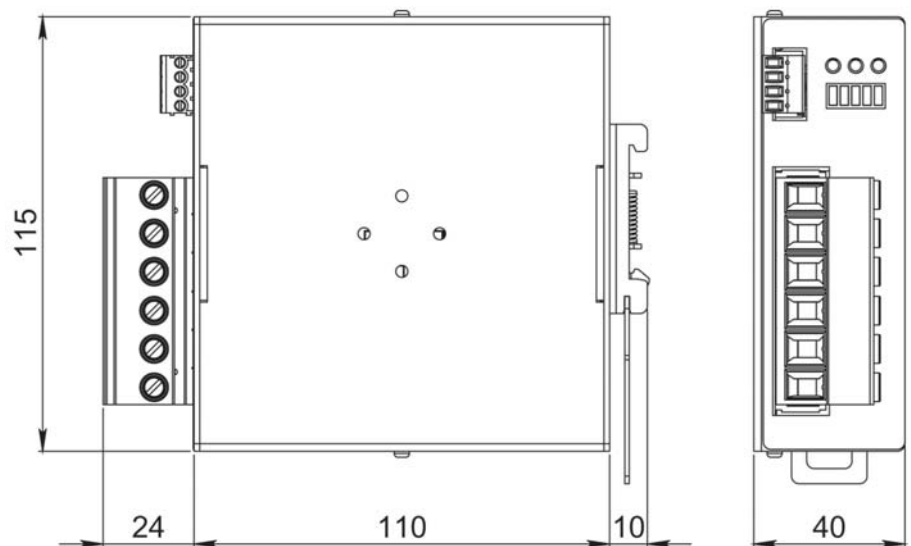


SYSTEMATIC TECHNOLOGY

Technical data sheet • Power supply

Connection device	Input Screw terminal plug-in 0.20 mm ² – 16.0 mm ² Output Screw terminal plug-in 0.20 mm ² – 16.0 mm ² Relays Screw terminal plug-in 0.20 mm ² – 1.5 mm ²
Dimensions (w x h x d)	40.0 x 115.0 x 110.0 mm
Approvals	cULus (E249179)
Standards	UL 508 EN 60950-1 EN 55022 Class B EN 55024 EN 61000-4-2/3/4/6/8 EN 61204-3
PU	1 piece

Dimensions



25.08.2017 – Subject to technical modification

Part-No. 722999

USA: LUTZE INC.

13330 South Ridge Drive • Charlotte, NC 28273, USA
Tel. +1 (704) 504-0222 • Fax +1 (704) 504-0223
www.lutze.com • info@lutze.com

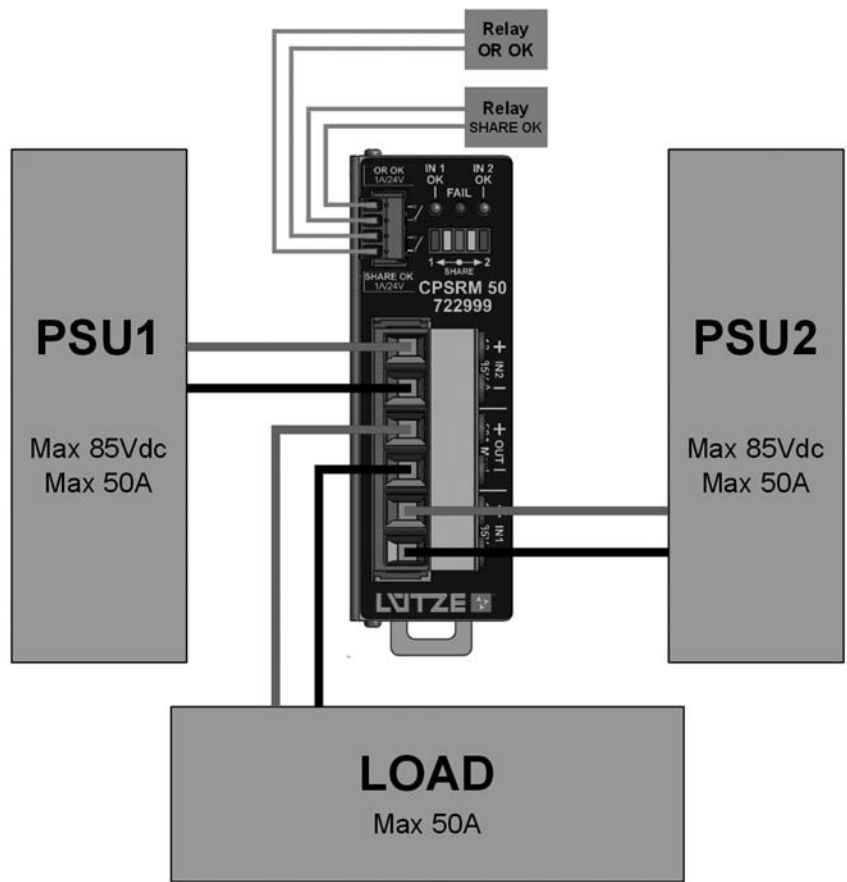
United Kingdom: LÜTZE Ltd.

Unit 3, Sandy Hill Park
Sandy Way, Amington • GB-Tamworth, Staffs B77 4DU
Tel. +44 (0)1827 31333-0 • Fax +44 (0)1827 31333-2
www.lutze.com • sales.gb@lutze.co.uk



SYSTEMATIC TECHNOLOGY

PIN assignment



25.08.2017 – Subject to technical modification

Part-No. 722999

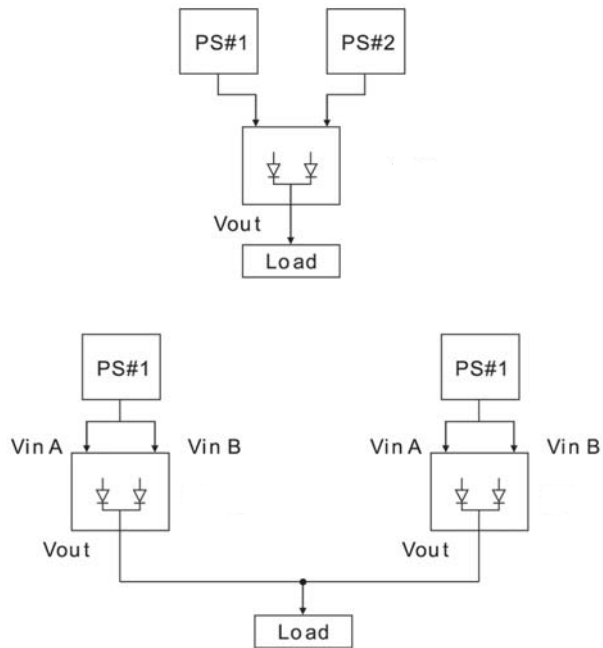
USA: LUTZE INC.

13330 South Ridge Drive • Charlotte, NC 28273, USA
Tel. +1 (704) 504-0222 • Fax +1 (704) 504-0223
www.lutze.com • info@lutze.com

United Kingdom: LÜTZE Ltd.

Unit 3, Sandy Hill Park
Sandy Way, Amington • GB-Tamworth, Staffs B77 4DU
Tel. +44 (0)1827 31333-0 • Fax +44 (0)1827 31333-2
www.lutze.com • sales.gb@lutze.co.uk

Use



25.08.2017 – Subject to technical modification

Part-No. 722999

USA: LUTZE INC.

13330 South Ridge Drive • Charlotte, NC 28273, USA
Tel. +1 (704) 504-0222 • Fax +1 (704) 504-0223
www.lutze.com • info@lutze.com

United Kingdom: LÜTZE Ltd.

Unit 3, Sandy Hill Park
Sandy Way, Amington • GB-Tamworth, Staffs B77 4DU
Tel. +44 (0)1827 31333-0 • Fax +44 (0)1827 31333-2
www.lutze.com • sales.gb@lutze.co.uk