

Technical data sheet • Power supply

1-/2-/3-phase switching power supply
regulated, 240 W



Identification	Type	CPSB-123-240-24
	Part-No.	722996
Input		
Nominal voltage	AC 200–500 V	
Operation voltage range	AC 187–550 V / DC 250–725 V (UL: DC 300–500 V)	
Line frequency	47 Hz – 63 Hz	
Rated current	1-/2-phase @ AC 220 V: 2.2 A, 1-/2-phase @ AC 500 V: 1.1 A 3-phase @ AC 220 V: 1.5 A, 3-phase @ AC 500 V: 0.8 A	
Inrush current	<20 A (AC 230 V), <40 A (AC 500 V)	
External fuse	Automatic: D 4 A, C 6 A / safety fuse: T 6.3 A (required)	
Power Factor Correction P.F.C.	>0.60 @ AC 230 V, >0.5 @ AC 400 V	
Load Side		
Rated voltage output	DC 24 V	
Rated current output	10 A	
Max. output current	>15 A, 5 s	
Short-circuit current	38 A, 5 s	
Low power loss	<24 W @ AC 230 V, <21 W @ AC 400 V	
Voltage trim range	23-27,5 V	
Load regulation	<1 %	
Rise time	14 ms (5–95 %) @ 400 V	
Ripple & Noise	<100 mV pp	
Hold up time	>15 ms (AC 230 V), >100 ms (AC 500 V)	

03.05.2016 – Subject to technical modification

Part-No. 722996

USA: LUTZE INC.

13330 South Ridge Drive • Charlotte, NC 28273, USA
Tel. +1 (704) 504-0222 • Fax +1 (704) 504-0223
www.lutze.com • info@lutze.com

United Kingdom: LUTZE Ltd.

Unit 3, Sandy Hill Park
Sandy Way, Amington • GB-Tamworth, Staffs B77 4DU
Tel. +44 (0)1827 31333-0 • Fax +44 (0)1827 31333-2
www.lutze.com • sales.gb@lutze.co.uk



SYSTEMATIC TECHNOLOGY

Technical data sheet • Power supply

Status indication DC ON LED green	≥21.6 V
Status indication DC LOW LED red	≤21.6 V
Parallel/redundant operation	yes/with external decoupling diode
Efficiency	>91 % @ AC 230 V, >92% @ AC 400 V
Rated over load protection	yes
Short circuit characteristics	Hiccup-mode

General

Insulation voltage input/output	AC 3.0 kV _{eff}
Insulation voltage input / ground	AC 2.0 kV _{eff}
Insulation voltage output / ground	AC 0.5 kV _{eff}
Operation temperature range	-20 °C – 60 °C (overtemperature protection)
Derating	-6 W/°C from +50 °C
Storage temperature range	-25 °C – 85 °C
M.T.B.F.	>500000 h to SN29500 / >150000 h to MIL standard HDBK 217F
Relative humidity	20–90% RH, non-condensing
Dimensions (w × h × d)	54.0 × 115.0 × 113.0 mm
Cooling	Air convection 20 mm clearance right/left, 50 mm clearance up/down
Installation position	vertical
Housing material	Aluminum
Protection class	IP 20 (IEC529, EN60529)
Shock resistance	30 g 6 ms, 20 g 11 ms, 3 shocks / direction, 18 shocks in total, IEC60068-2-27:2008
Vibration resistance	5 – 17.8 Hz: ±1.6 mm, 17.8 – 500 Hz: 2 g 2 hours / axes X,Y,Z, IEC 60068-2-6:2007
Field installation	rail TS 35 (EN 50022)
Application height	2000 m
IP rating	I (SELV, PELV)
Overvoltage category	II (IEC 664-1)
Pollution degree	2
Weight (kg/piece)	0.650
Termination	Screw terminal: 0.2–2.5 mm ² (AWG 30–12) - pluggable
Approvals	UL, cUL: UL 508, IEC 60950 CE: EN 60950, EN 61000-6-2 (2005), EN 60100-6-4 (2007), EN 61000-4-2/3/4/5/6/11, EN 61000-5-5 EN 55011 (conducted emission class B, radiated emission class A)

Monitoring

DC ON Control (Rdy)	Change over contact
Switching voltage	DC 30 V
Switching current	DC 1 A
Switching capacity	30 W
Insulation voltage	AC 500 V

03.05.2016 – Subject to technical modification

Part-No. 722996

USA: LUTZE INC.

13330 South Ridge Drive • Charlotte, NC 28273, USA

Tel. +1 (704) 504-0222 • Fax +1 (704) 504-0223

www.lutze.com • info@lutze.com

United Kingdom: LUTZE Ltd.

Unit 3, Sandy Hill Park

Sandy Way, Amington • GB-Tamworth, Staffs B77 4DU

Tel. +44 (0)1827 31333-0 • Fax +44 (0)1827 31333-2

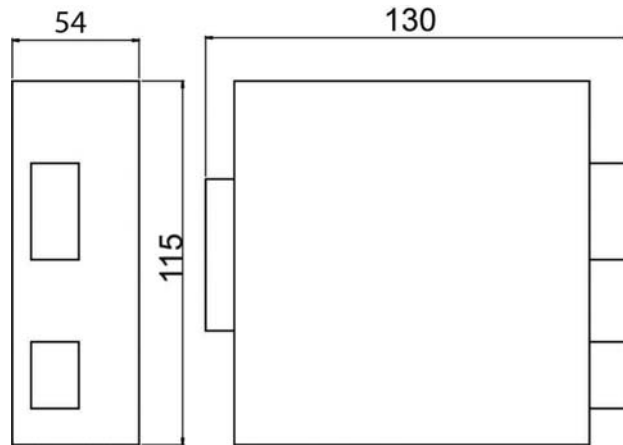
www.lutze.com • sales.gb@lutze.co.uk



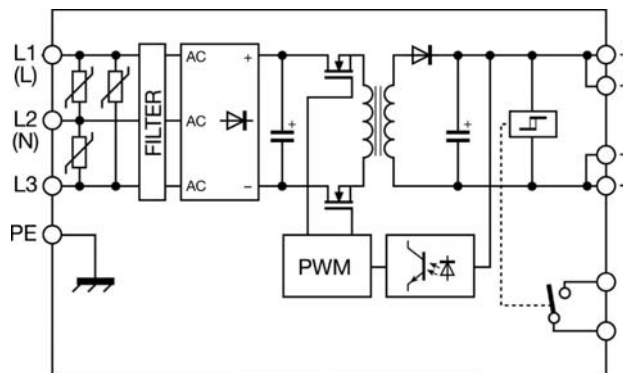
SYSTEMATIC TECHNOLOGY

Technical data sheet • Power supply

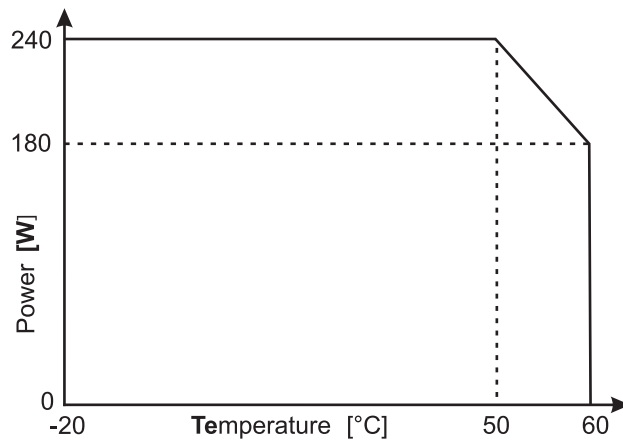
Dimensions



PIN assignment



Derating



03.05.2016 – Subject to technical modification

Part-No. 722996

USA: LUTZE INC.

13330 South Ridge Drive • Charlotte, NC 28273, USA

Tel. +1 (704) 504-0222 • Fax +1 (704) 504-0223

www.lutze.com • info@lutze.com

United Kingdom: LUTZE Ltd.

Unit 3, Sandy Hill Park

Sandy Way, Amington • GB-Tamworth, Staffs B77 4DU

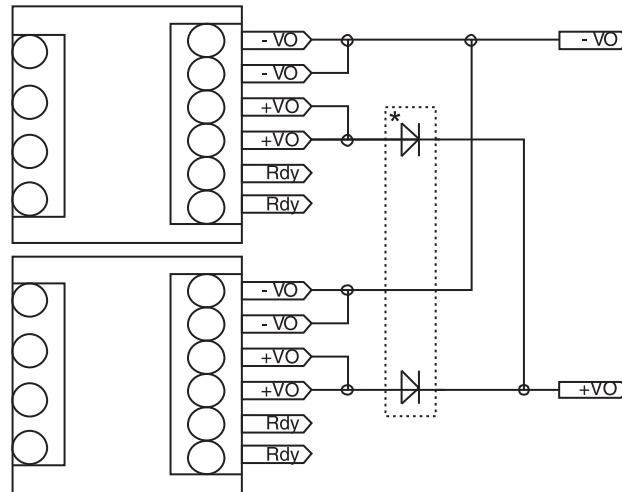
Tel. +44 (0)1827 31333-0 • Fax +44 (0)1827 31333-2

www.lutze.com • sales.gb@lutze.co.uk



SYSTEMATIC TECHNOLOGY

Redundant operation



* Redundant Module 722987

03.05.2016 – Subject to technical modification

Part-No. 722996

USA: LUTZE INC.

13330 South Ridge Drive • Charlotte, NC 28273, USA

Tel. +1 (704) 504-0222 • Fax +1 (704) 504-0223

www.lutze.com • info@lutze.com

United Kingdom: LUTZE Ltd.

Unit 3, Sandy Hill Park

Sandy Way, Amington • GB-Tamworth, Staffs B77 4DU

Tel. +44 (0)1827 31333-0 • Fax +44 (0)1827 31333-2

www.lutze.com • sales.gb@lutze.co.uk