

MITSUBISHI ELECTRIC EUROPE B.V.
Mitsubishi-Electric-Platz 1, 40882 Ratingen
Germany
<https://eu3a.mitsubishielectric.com/>

Date: December 2015
Contact: André Hartkopf
andre.hartkopf@meg.mee.com

Product Introduction of Beijer – GOT Mounting Frames

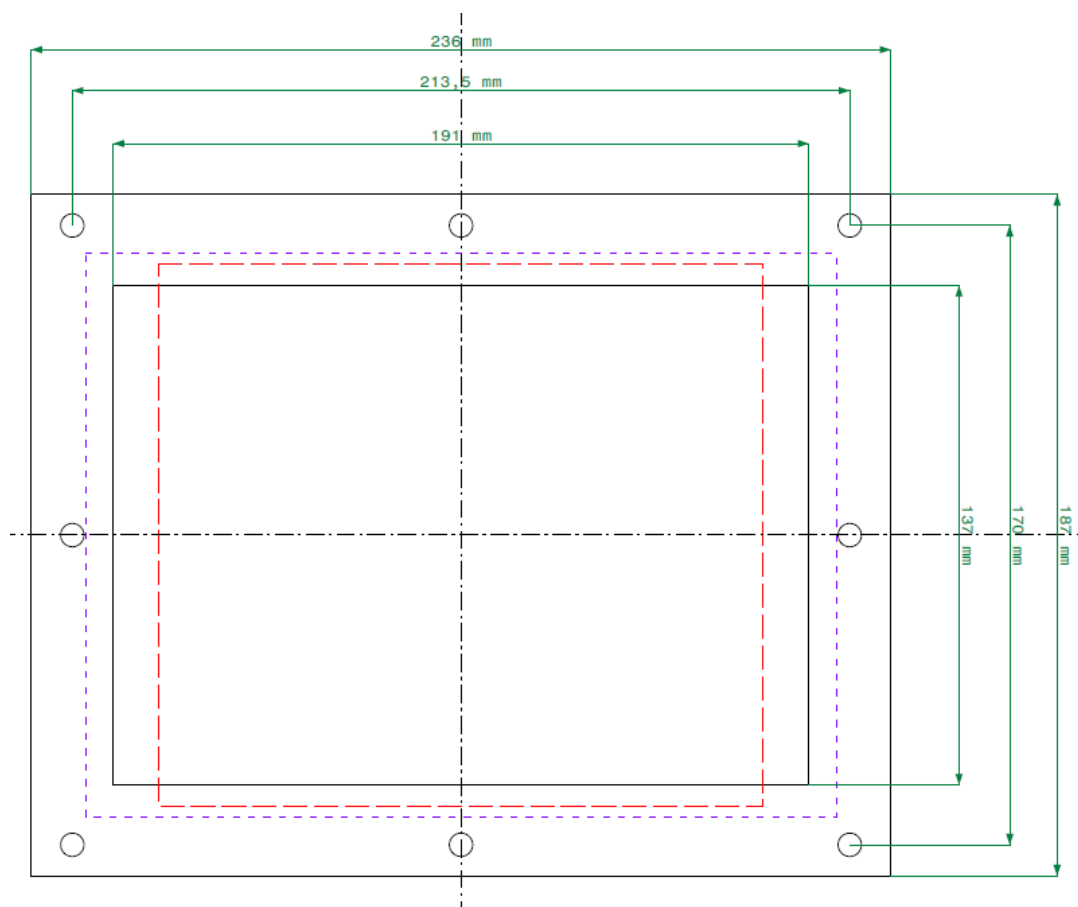
We are pleased to announce the release of GOT steel mounting frames as a mechanical swap out kit for old Beijer E1000 and iX panels.

What are the Beijer – GOT Mounting Frames?

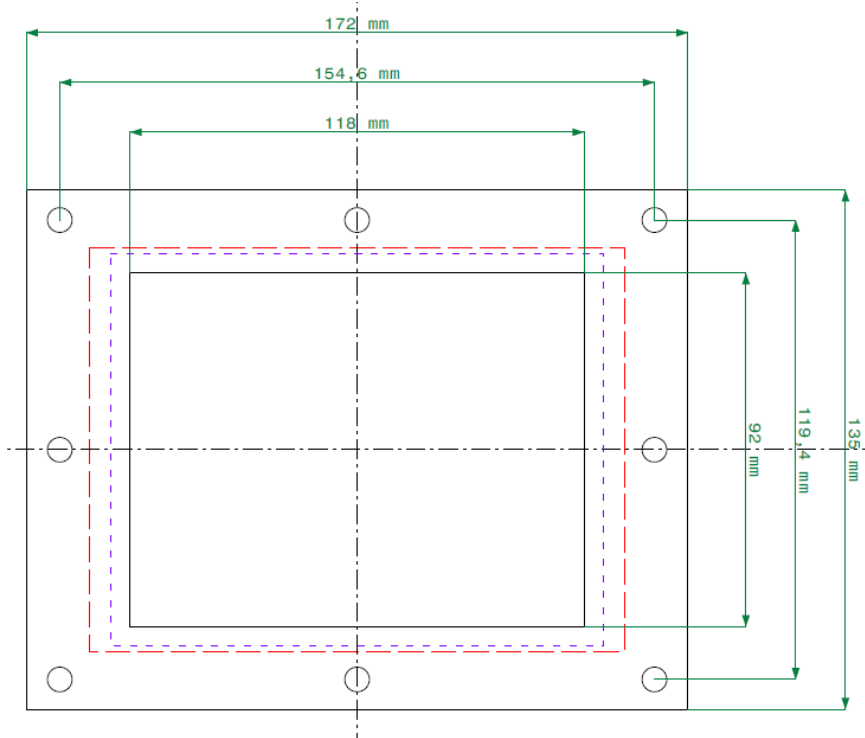
- The Beijer – GOT Mounting Frames are steel plates to mount GOT's in an existing cabinet cut out of a Beijer HMI (E1000 and iX).

What mounting frames are available and how do they look like?

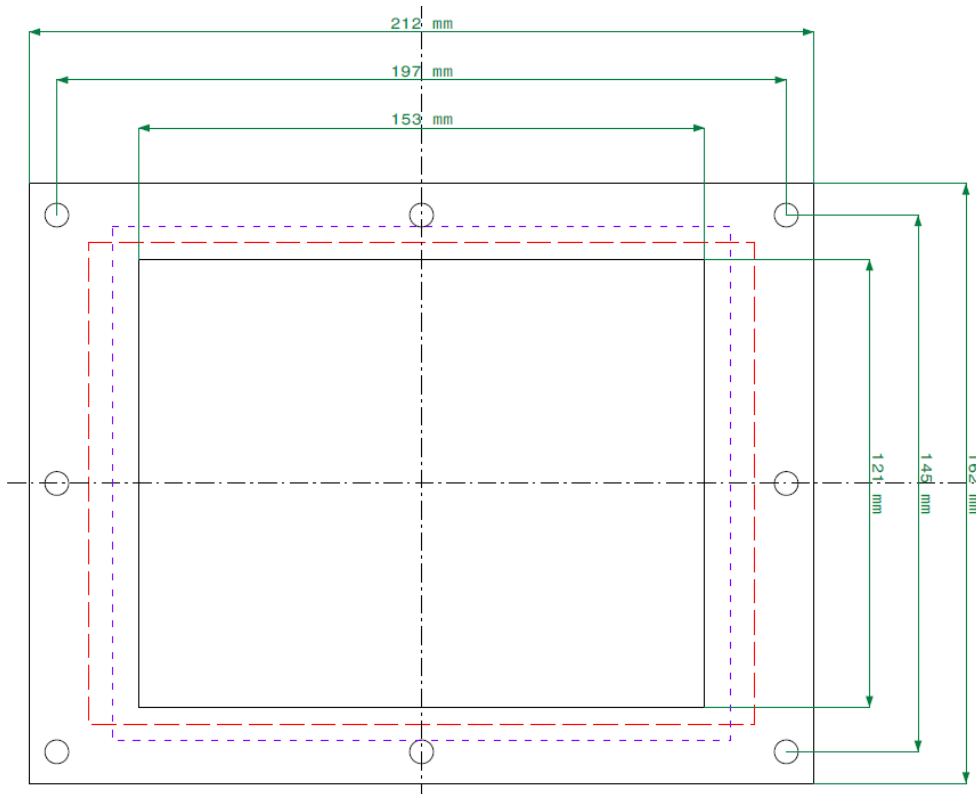
- Mounting Frame E1032 - GS2107:



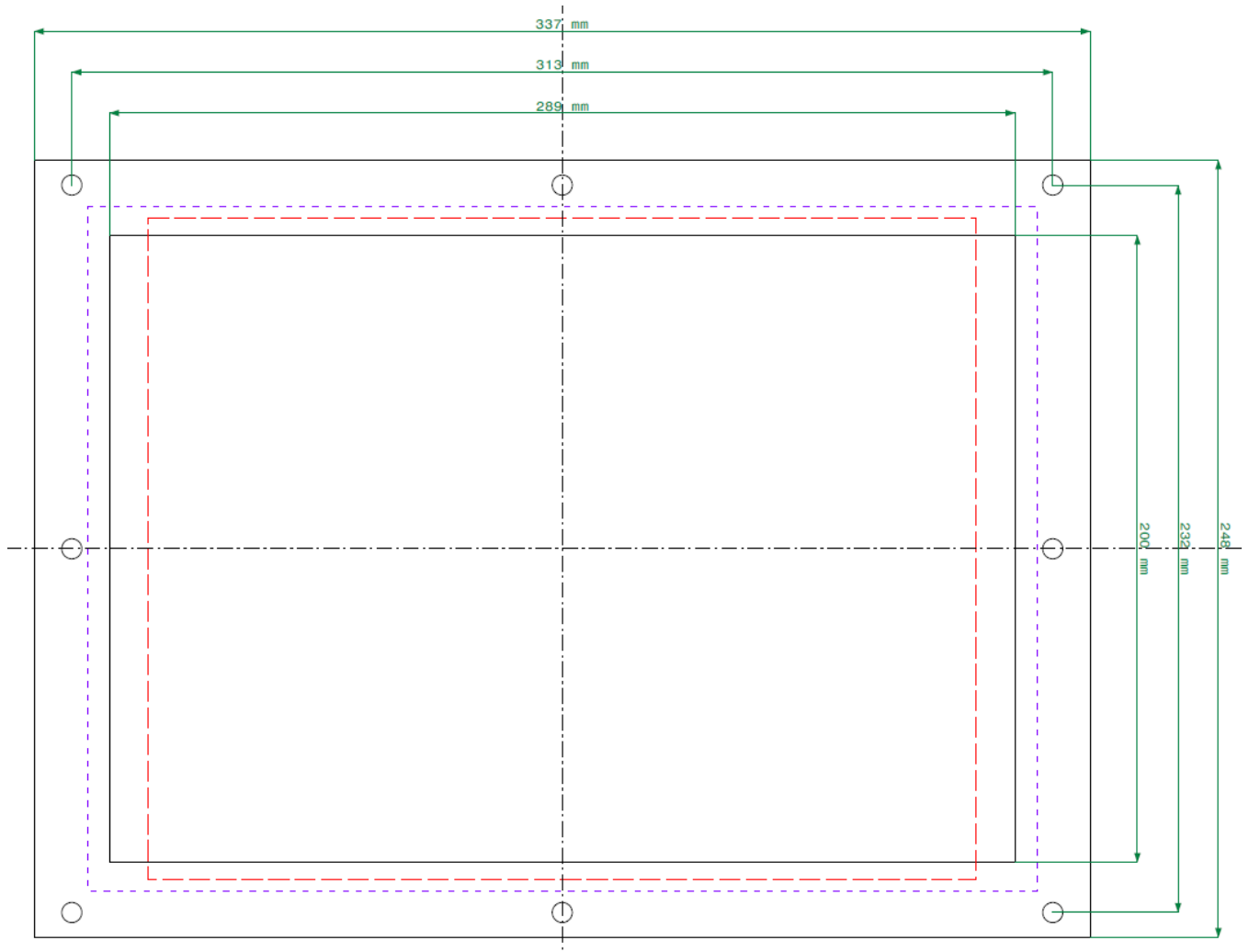
- Mounting Frame E1041/E1043 - GT2104:



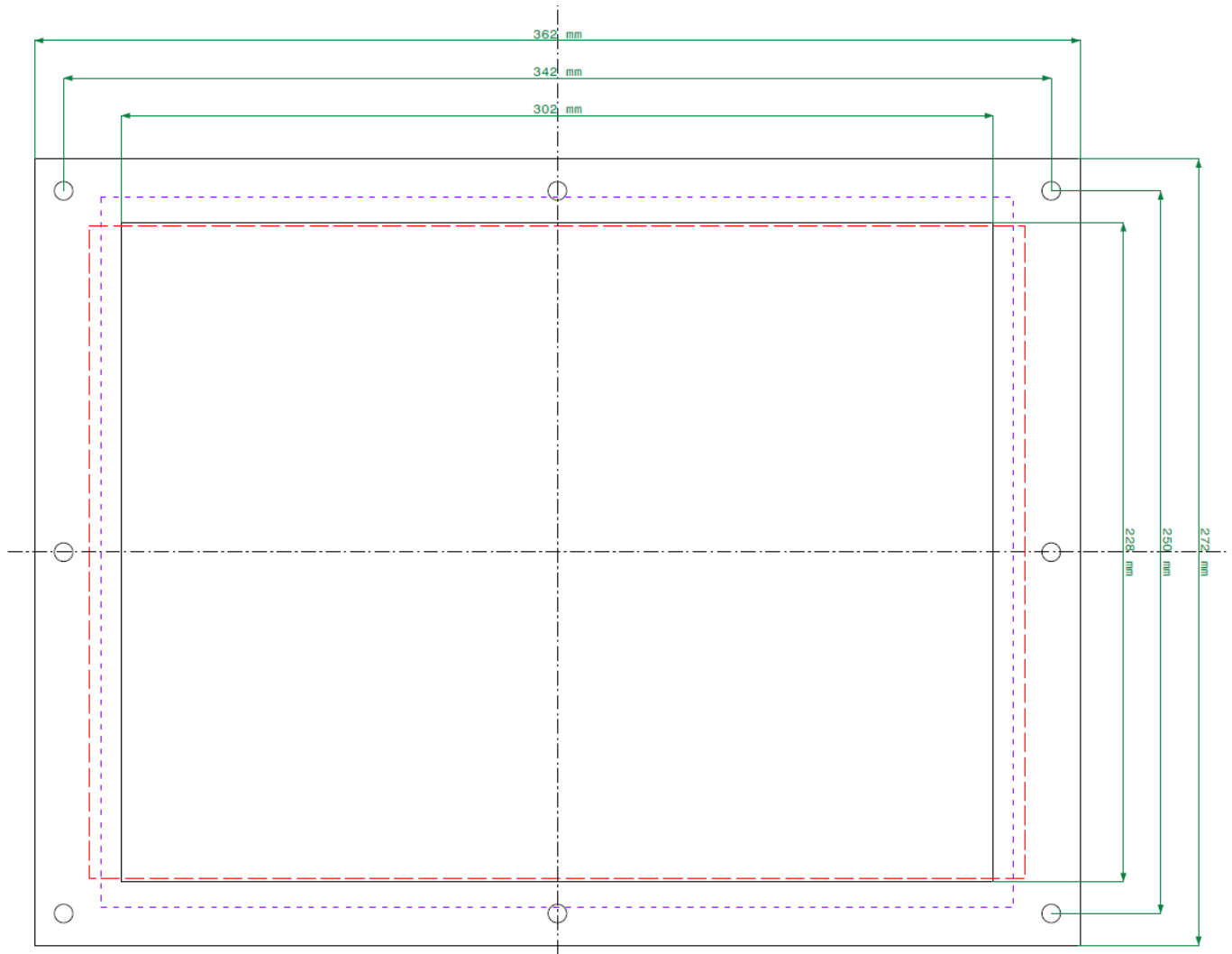
- Mounting Frame E1061/E1063 - GT2705:



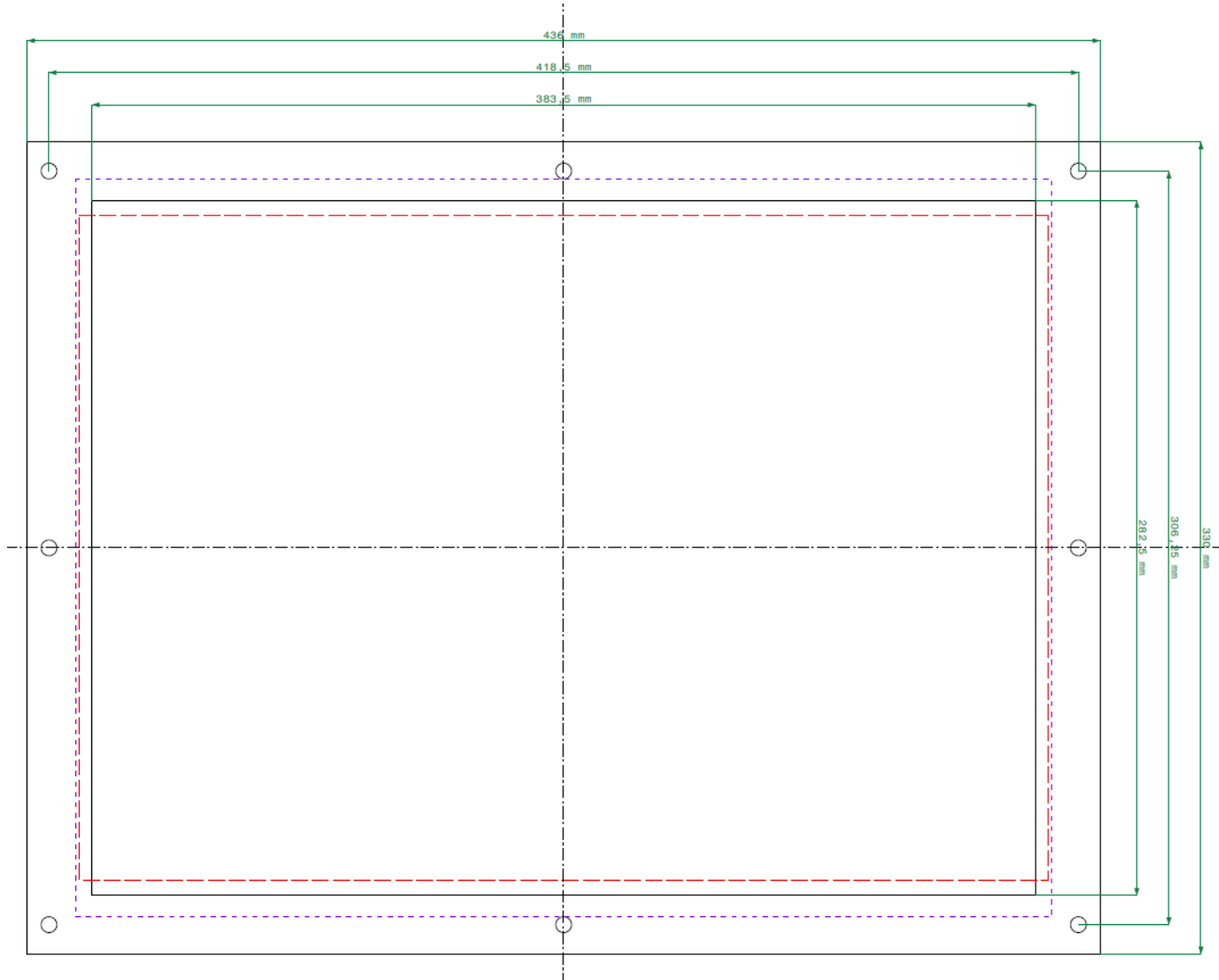
- Mounting Frame E1101/T10A - GT2710/GT2510:



- Mounting Frame T12B - GT2712:



- Mounting Frame T15B - GT2715:



What is the content of the Beijer – GOT Mounting Frames packages?

- Steel plate with GOT cut out, welded threaded M4 bolts and IP67 rubber sealing
- Drawing / drilling template
- M4 nuts
- Spring rings

When will the Beijer – GOT Mounting Frames be available on stock?

- The Beijer – GOT Mounting Frames will be available on stock and ready for sales starting from January 2016.

Order information:

Article	No.	Description
Mounting Frame E1032 - GS2107	292398	GOT2000;Mounting Frame E1032 - GS2107
Mounting Frame E1041/E1043 - GT2104	292399	GOT2000;Mounting Frame E1041/E1043 - GT2104
Mounting Frame E1061/E1063 - GT2705	292400	GOT2000;Mounting Frame E1061/E1063 - GT2104
Mounting Frame E1101/T10A - GT2710/GT2510	292401	GOT2000;Mounting Frame T10A - GT2510
Mounting Frame T12B - GT2712	292402	GOT2000;Mounting Frame T12B - GT2712
Mounting Frame T15B - GT2715	292403	GOT2000;Mounting Frame T15B - GT2715

We wish you much success with the new hardware.

Your Mitsubishi Team

