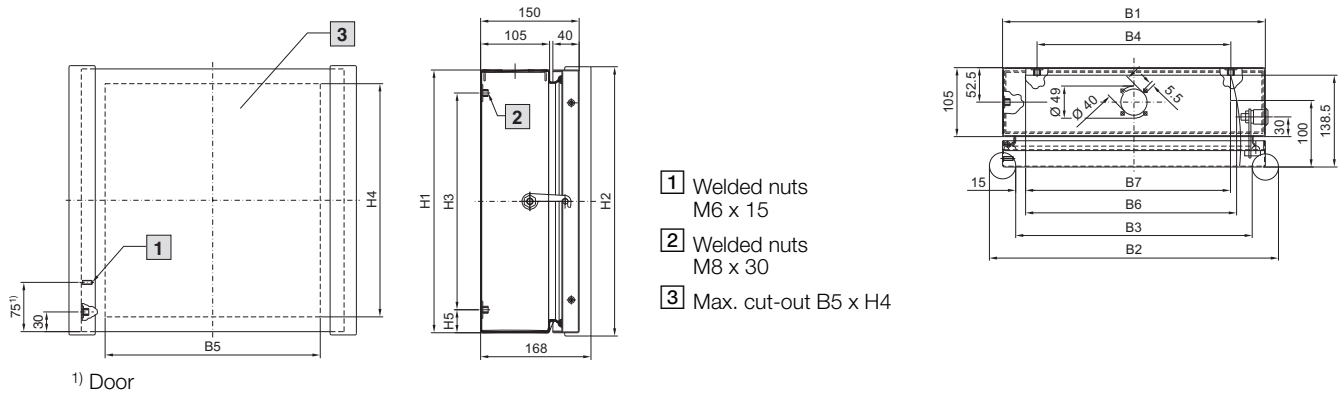


Command panel housings with door

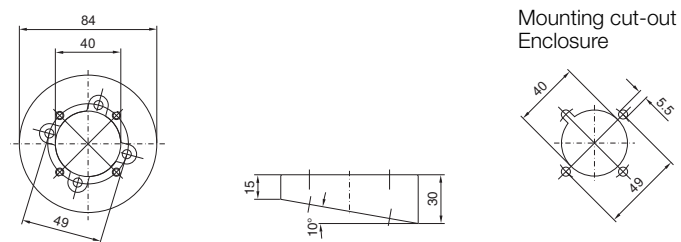


Model No. CP	6535.010	6536.010	6538.010	6539.010
Width (B1) mm	300	400	400	600
Height (H1) mm	300	300	400	400
Depth (T1) mm	150	150	150	150
B2 = Enclosure width with handle strips	340	440	440	640
B3 = Clearance opening, front	260	360	360	560
B4 = Spacing of mounting plate attachment	215	295	295	510
B5 = Max. front cut-out, width	225	325	325	525
B6 = Hinged width for depth 100 mm	220	320	320	520
B7 = Hinged width for depth 118 mm	206	310	310	510
H2 = Enclosure height with handle strips	310	310	410	410
H3 = Spacing of mounting plate attachment	250	250	330	330
H4 = Max. front cut-out, height	255	255	355	355
H5 = Distance from base – mounting plate attachment	25	25	35	35

Support arm system CP 40, stainless steel

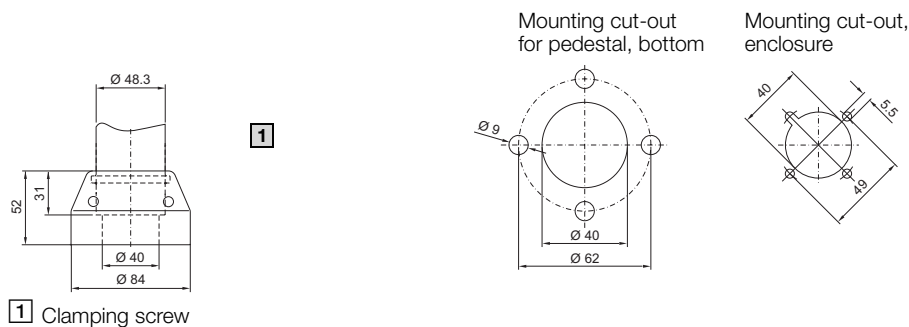
Tilting adaptor 10° CP 40, stainless steel

CP 6664.100



Mounting bracket CP 40, stainless steel

CP 6664.500



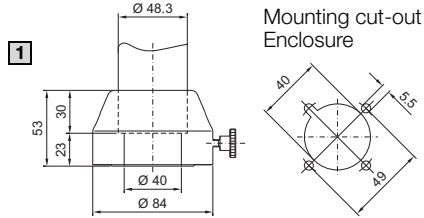
Enclosures

Stainless steel

Support arm system CP 40, stainless steel

Coupling CP 40, stainless steel

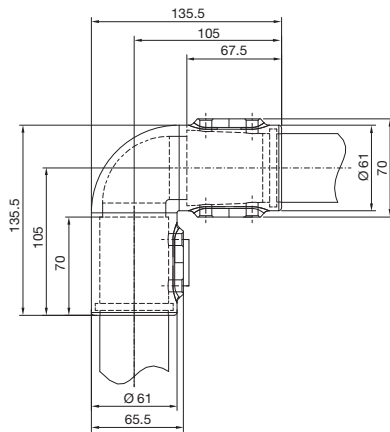
CP 6664.000



1 Clamping screw

Angle piece 90° CP 40, stainless steel

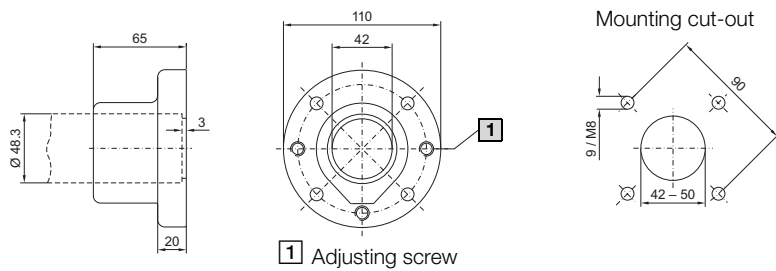
CP 6664.300



- 1 Locking screw
- 2 Adjusting screw

Wall/base mounting bracket, rigid, CP 40, stainless steel

CP 6663.000

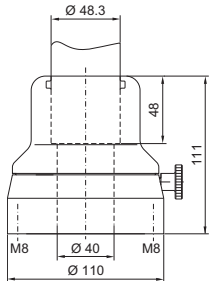


1 Adjusting screw

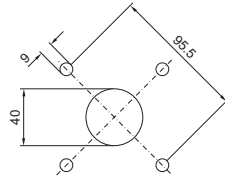
Support arm system CP 40, stainless steel

Base mounting bracket, swivel, CP 40, stainless steel

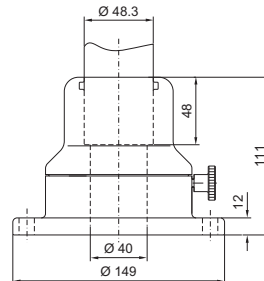
Rear attachment CP 6663.500



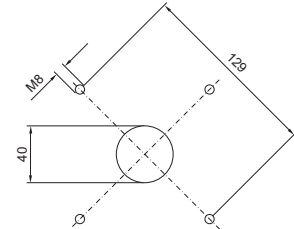
Mounting cut-out



Front attachment CP 6663.400

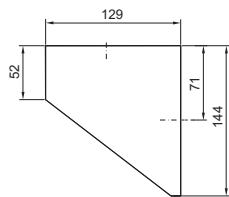


Mounting cut-out

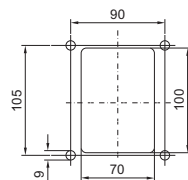


Wall console CP 40, stainless steel

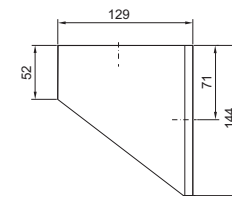
Rear attachment CP 6665.000



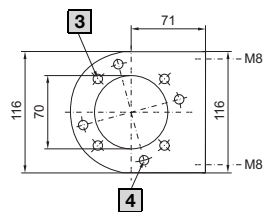
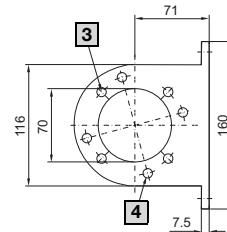
Mounting cut-out



Front attachment CP 6665.500



Mounting cut-out



3 Hole for CP 6663.000

4 Hole for CP 6663.500