

RJ45 connector



Identification	Type	RJ45-X 8pol. Cat.6A T568B
	Part-No.	490151
Description	Industrial connector RJ45, angled solid metal housing, quick-connect technology AWG 27–22	
Technical data		
Rated voltage U_N	30 V	
Rated current	≤ 1 A per contact	
Pole number	8	
Transfer rate	10 Gbit/s	
Category	Cat.6A	
Shielding	shielded	
General		
Form male 1	RJ45 angle connector shielded	
Degree of pollution	1	
Insulation resistance	> 500 M Ω	
Contact resistance	< 20 m Ω	
Flamability according to UL 94	V0	
Protection class	IP20	

21.03.2018 – Subject to technical modification

Part-No. 490151

USA: LUTZE INC.

13330 South Ridge Drive • Charlotte, NC 28273, USA
Tel. +1 (704) 504-0222 • Fax +1 (704) 504-0223
www.lutze.com • info@lutze.com

United Kingdom: LÜTZE Ltd.

Unit 3, Sandy Hill Park
Sandy Way, Amington • GB-Tamworth, Staffs B77 4DU
Tel. +44 (0)1827 31333-0 • Fax +44 (0)1827 31333-2
www.lutze.com • sales.gb@lutze.co.uk



SYSTEMATIC TECHNOLOGY

Technical data sheet • Actuator sensor interface

Housing material	Zinc die-casting
Color of the housing	silver
Color	black
Cover	PBT black
Contact material	Spring steel gold-plated
Strand diameter	1 – 1.6 mm
Cable diameter	5.5 – 10 mm
Operation temperature range	-40 °C ... +85 °C
Storage temperature range	-40 °C ... +85 °C
Dimensions (w × h × d)	13.9 × 38.0 × 45.7 mm
Mechanical service life	>750 insertion cycles
Cross-section AWG	AWG 24/1-22/1, AWG 27/7-22/7
Weight	0.030 kg/piece
Approvals	cULus (E326112)
Standards	IEC 60603-7-51
PU	1 piece

Comments	Suitable for Profinet, SERCOS3, Ethercat, Ethernet/IP, Powerlink, VARAN, Power over Ethernet+ (PoE+IEEE 802.3at) Suitable cables, see overview assignment Ethernet cables to connectors
-----------------	--

21.03.2018 – Subject to technical modification

Part-No. 490151

USA: LUTZE INC.

13330 South Ridge Drive • Charlotte, NC 28273, USA

Tel. +1 (704) 504-0222 • Fax +1 (704) 504-0223

www.lutze.com • info@lutze.com

United Kingdom: LÜTZE Ltd.

Unit 3, Sandy Hill Park

Sandy Way, Amington • GB-Tamworth, Staffs B77 4DU

Tel. +44 (0)1827 31333-0 • Fax +44 (0)1827 31333-2

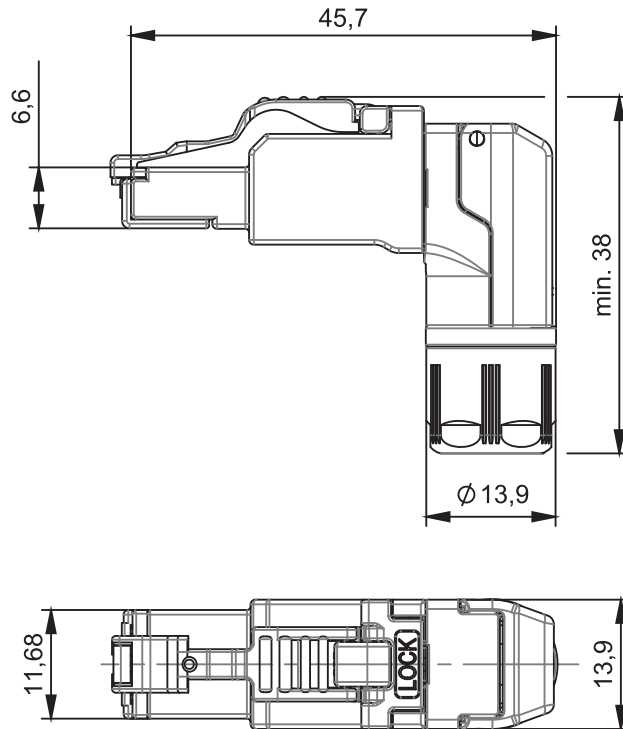
www.lutze.com • sales.gb@lutze.co.uk



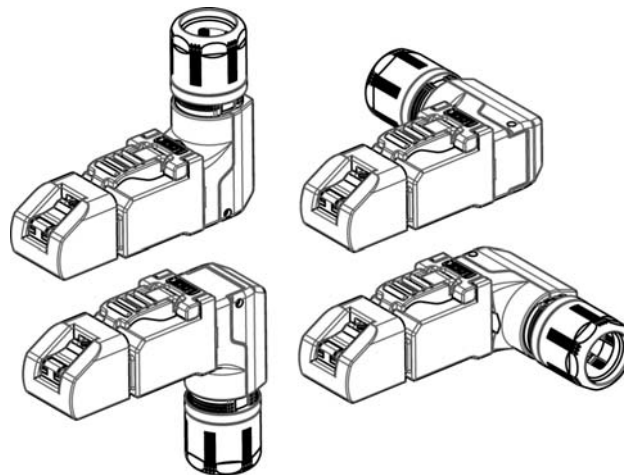
SYSTEMATIC TECHNOLOGY

Technical data sheet • Actuator sensor interface

Dimensions



Mounting diagram



21.03.2018 – Subject to technical modification

Part-No. 490151

USA: LUTZE INC.

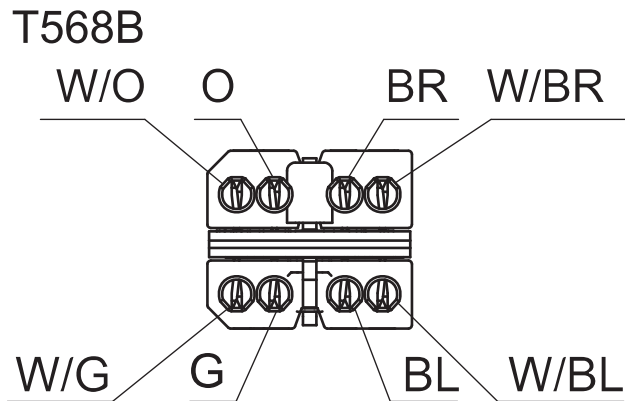
13330 South Ridge Drive • Charlotte, NC 28273, USA
Tel. +1 (704) 504-0222 • Fax +1 (704) 504-0223
www.lutze.com • info@lutze.com

United Kingdom: LÜTZE Ltd.

Unit 3, Sandy Hill Park
Sandy Way, Amington • GB-Tamworth, Staffs B77 4DU
Tel. +44 (0)1827 31333-0 • Fax +44 (0)1827 31333-2
www.lutze.com • sales.gb@lutze.co.uk

Technical data sheet • Actuator sensor interface

Connection assignment



Logo



21.03.2018 – Subject to technical modification

Part-No. 490151

USA: LUTZE INC.

13330 South Ridge Drive • Charlotte, NC 28273, USA

Tel. +1 (704) 504-0222 • Fax +1 (704) 504-0223

www.lutze.com • info@lutze.com

United Kingdom: LÜTZE Ltd.

Unit 3, Sandy Hill Park

Sandy Way, Amington • GB-Tamworth, Staffs B77 4DU

Tel. +44 (0)1827 31333-0 • Fax +44 (0)1827 31333-2

www.lutze.com • sales.gb@lutze.co.uk



SYSTEMATIC TECHNOLOGY