

One-phase switching power supply
regulated, 480 W



Identification	Type	CPSB1-480-24R
	Part-No.	722986
Input		
Nominal voltage	AC 120 V / AC 240 V	
Operation voltage range	AC 90–132 V / AC 187–264 V	
Line frequency	47 Hz – 63 Hz	
Rated current	$U_i = AC 120 V: 7.2 A / U_i = AC 230 V: 4.3 A$	
Inrush current	<13 A	
External fuse	Automatic: C 16 A (required)	
Power Factor Correction P.F.C.	>0.6	
Load Side		
Rated voltage output	DC 24 V	
Rated current output	20 A	
Max. output current	30 A, 5 s, @ 24 V	
Short-circuit current	30 A (>50 A Hiccup)	
Low power loss	<45 W (AC 230 V)	
Voltage trim range	23/28 V	
Load regulation	<1 %	
Ripple & Noise	100 mV pp	
Hold up time	>35 ms (AC 240 V)	
Status indication DC ON LED green	$\geq 21.6 V$	

02.04.2016 – Subject to technical modification

Part-No. 722986

USA: LUTZE INC.

13330 South Ridge Drive • Charlotte, NC 28273, USA
Tel. +1 (704) 504-0222 • Fax +1 (704) 504-0223
www.lutze.com • info@lutze.com

United Kingdom: LUTZE Ltd.

Unit 3, Sandy Hill Park
Sandy Way, Amington • GB-Tamworth, Staffs B77 4DU
Tel. +44 (0)1827 31333-0 • Fax +44 (0)1827 31333-2
www.lutze.com • sales.gb@lutze.co.uk

Technical data sheet • Power supply

Status indication DC LOW LED red	≤21.6 V
Parallel/redundant operation	max. 4 devices / via internal diodes
Efficiency	>92 % (AC 240 V)
Rated over load protection	yes
Over voltage protection	yes
Short circuit characteristics	Hiccup-mode / Constant current

General

Switching frequency	approx. 70 – 110 kHz
Insulation voltage input/output	AC 3.0 kV _{eff}
Insulation voltage input / ground	AC 2.0 kV _{eff}
Insulation voltage output / ground	AC 0.7 kV _{eff}
Operation temperature range	-20 °C – 60 °C (derating)
Derating	>45 °C: -10 W / °C
Storage temperature range	-25 °C – 85 °C
M.T.B.F.	750000 h to SN29500 / 250000 h to MIL Standard HDBK 217F
Relative humidity	20–90% RH, non-condensing
Dimensions (w × h × d)	81.0 × 127.0 × 146.0 mm
Cooling	Natural air cooling, 10 mm distance right/left, 50 mm distance above/below
Installation position	vertical
Housing material	Aluminum
Protection class	IP 20 (IEC529, EN60529)
Shock resistance	30 g 6 ms, 20 g 11 ms, 3 shocks / direction, 18 shocks in total, IEC60068-2-27:2008
Vibration resistance	5 – 17.8 Hz: ±1.6 mm, 17.8 – 500 Hz: 2 g 2 hours / axes X,Y,Z, IEC 60068-2-6:2007
Field installation	rail TS 35 (EN 50022)
IP rating	I (SELV, PELV)
Overvoltage category	II
Pollution degree	2
Weight (kg/piece)	1.100
Termination	Screw terminal: 0.2–6.0 mm ² , max. 0.62 Nm
Approvals	UL, cUL: UL 508, IEC 950, EN 60950 CE: EN 61000-4-2/3/4/5/6/11, EN 61000-6-2, EN 61000-6-4, EN 50178, EN 61558, EN 50081-1, EN 50082-2, EN 55022 Class B

Monitoring

DC ON Control (Rdy)	Normally open
Switching voltage	AC 300 V / DC 150 V
Switching current	AC/DC 1 A
Switching capacity	300 VA / 30 W
Insulation voltage	AC 500 V

02.04.2016 – Subject to technical modification

Part-No. 722986

USA: LUTZE INC.

13330 South Ridge Drive • Charlotte, NC 28273, USA

Tel. +1 (704) 504-0222 • Fax +1 (704) 504-0223

www.lutze.com • info@lutze.com

United Kingdom: LUTZE Ltd.

Unit 3, Sandy Hill Park

Sandy Way, Amington • GB-Tamworth, Staffs B77 4DU

Tel. +44 (0)1827 31333-0 • Fax +44 (0)1827 31333-2

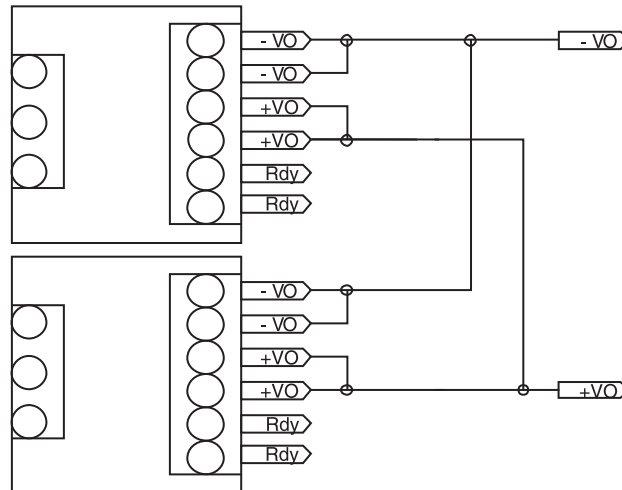
www.lutze.com • sales.gb@lutze.co.uk



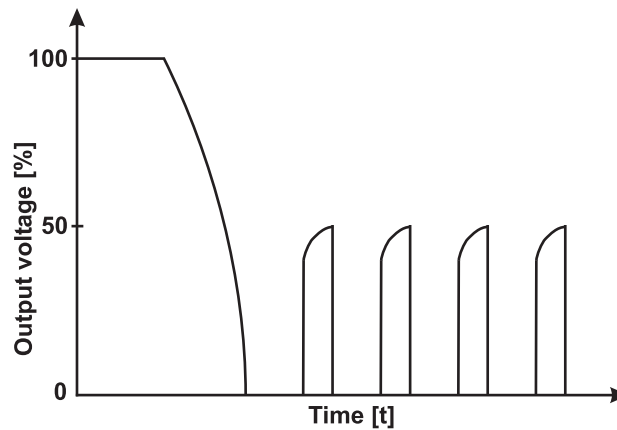
SYSTEMATIC TECHNOLOGY

Technical data sheet • Power supply

Parallel/redundant mode



Short circuit characteristics



02.04.2016 – Subject to technical modification

Part-No. 722986

USA: LUTZE INC.

13330 South Ridge Drive • Charlotte, NC 28273, USA
Tel. +1 (704) 504-0222 • Fax +1 (704) 504-0223
www.lutze.com • info@lutze.com

United Kingdom: LUTZE Ltd.

Unit 3, Sandy Hill Park
Sandy Way, Amington • GB-Tamworth, Staffs B77 4DU
Tel. +44 (0)1827 31333-0 • Fax +44 (0)1827 31333-2
www.lutze.com • sales.gb@lutze.co.uk