

GOT2000 Series

The next level of Graphic Operator Terminals

Viewing your production output
has never looked better



High end CPU and expanded memory



Intuitive operation by multi-touch/gesture



Comprehensive communications functions including Ethernet



Monitoring speed and booting time twice as fast

Your window to better production control



GOT2000 improves transparency and productivity in your production



Multi-touch and gestures for easy operation

Advanced functionality

Mitsubishi Electric has raised the bar for HMIs with the GOT2000 series, designed to optimise operator control and monitoring of device and line status. With vastly increased performance, advanced functions, seamless connectivity to other automation devices and highly intuitive, tablet-like operation* and the highest quality graphics, the GOT2000 series provides a range of models and sizes to meet the needs of the broadest spread of applications.

With their enhanced functionality, these HMIs extend capabilities beyond monitoring and visualisation, providing additional features that will help to reduce downtime, enable fast recovery from simple errors, increase availability and boost production efficiency. More than simply displaying data, these enhanced HMIs deliver genuine perspective on the automation process and provide a platform to solve the typical production problems that drive down OEE.

* Some functions such as Multi-touch/gesture are only available on certain models.

A comprehensive line-up of products provides screen sizes from 3.8" up to 15" in four basic ranges: the GT27 for high end applications that demand the highest levels of performance and functionality, the GT25 high performance mid-range model, the GT23 for cost-sensitive applications that can now benefit from new benchmark performance standards and the GT21 as an entry level model. In addition, a software HMI version, the GT SoftGOT2000, realises all of the GOT2000 features on a PC or panel computer.

Seamless gateway to many devices

The GOT2000 offers seamless connectivity to Mitsubishi Electric automation devices such as PLCs, variable speed drives, servo drives and robots, simplifying automation system set up. Inbuilt Ethernet communications means users can operate the GOT2000 remotely from a PC (VNC Server) or even from a tablet or portable terminal. An MES interface option enables the GOT2000 to transmit data collected from PLCs and other automation devices directly to higher level system databases, eliminating the need for gateway PCs or complex programming. Further the GOT2000 comes with the "FA transparent" function that enables users to link from a PC through the HMI to any supported connected automation products.

Benefits:

■ Benchmark performance

High-speed processors deliver responsive HMI operation even during high-load activities such as logging, script, alarm or device data transmission. Monitoring speed and booting time is twice as fast as the previous flagship GOT1000 model.

■ Increased memory size

With memory four times greater than the models they replace, GOT2000 HMIs enable flexible screen design without any concerns regarding data capacity. The product data compression technology plus up to 128 MB with the use of a standard SD card make it possible.

■ Multi-touch/gestures*

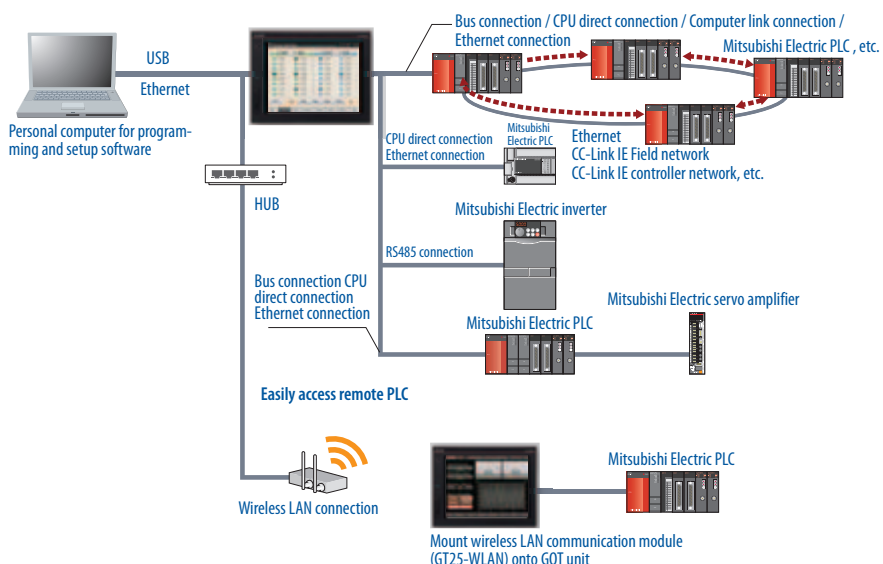
GOT2000 series HMIs deliver tablet-like usability with the introduction of multi-touch and gestures, even when wearing gloves. Screen gestures enable users to easily enlarge screens for better visualisation and easy operation of small switches. After enlarging, users can scroll across the display. Object gestures allow specific objects to be enlarged, scrolled or flicked, including historical data lists, alarm displays, trend graphs and documents. GOT2000 screens also allow two-point pressing, for simultaneous operation of two switches on important operations – such as “interlock release” and “start”. This eliminates the need for external panel hardware.

■ Beautiful graphics

GOT2000 HMIs provide 65536 colours, and support a wide range of image formats – including PNG – for clear screens with well defined objects that are crisp even when enlarged or reduced. The HMI also supports a library of outline fonts in different sizes.



Reusable sample projects



Simplified startup and debugging

■ Advanced communications

All GOT2000 HMIs provide Ethernet, RS232 and RS422/485 communications. SD card and front and rear USB ports deliver increased flexibility. Options include a wireless LAN interface for communication with PCs and tablets, enabling users to download/upload screen data and use the FA Transparent function.

■ Easy screen design

The GOT2000 screens are fully compatible with HMI design software GT Works3, with features such as the ability to use templates and sample projects to greatly reduce the number of steps in the screen creation process. GT Works3 also offers a full suite of common functions, objects and shapes. Help facilities include a “device input assist” function and a search wizard for the GT Works3 manuals.

■ Backwards compatibility

Providing an advanced solution for today’s monitoring and visualisation requirements, the GOT2000 HMIs provide significant improvements on the GOT1000 models that they replace, while ensuring backwards compatibility: panel sizes remain identical whilst existing projects can be easily ported to the HMIs.



GT Works3 displays your screen assets

■ Horizontal integration

The superior integration capabilities of Mitsubishi Electric factory automation products is demonstrated by functions such as parameter and program backup/restore for PLCs, inverters and servo drives; GOT transparent mode to connect via the HMI to Mitsubishi Electric devices for programming, monitoring etc; pre-made monitor screens for network diagnostics, etc.

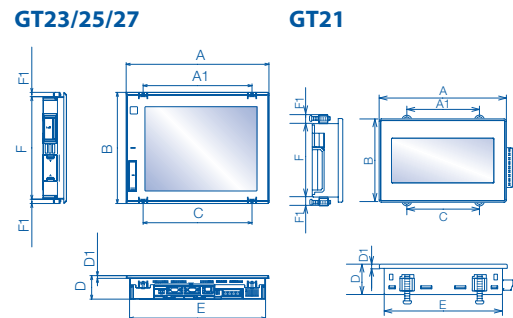
*Some functions such as Multi-touch/gesture are only available on certain models.

Specifications

| Item | GT2715 (2 Models) | GT2712 (4 Models) | GT2710 (6 Models) ④ | | GT2708 (4 Models) | | GT2510 (4 Models) | GT2508 (4 Models) | GT2310 (2 Models) | GT2308 (2 Models) | GT2103 (2 Models) |
|--|--|---|----------------------------------|----------------------------------|----------------------------------|----------------------------------|----------------------------------|----------------------|----------------------------------|----------------------|---------------------------------|
| Display device | TFT color LCD | | | | | | | | | | |
| Screen size | 15" | 12.1" | 10.4" | | 8.4" | | 10.4" | 8.4" | 10.4" | 8.4" | 3.8" |
| Resolution | 1024x768 | 800x600 | 800x600 | 640x480 | 800x600 | 640x480 | 640x480 | | 640x480 | | 320x128 |
| Display size WxH (mm) | 304.1x228.1 | 246.0x184.5 | 211.2x158.4 | | 170.9x128.2 | | 211.2x158.4 | 170.9x128.2 | 211.2x158.4 | 170.9x128.2 | 89.0x35.6 |
| Number of characters (chars. x lines) | 64x48 (16 dot) 85x64 (12 dot) | 50x37 (16 dot) 66x50 (12 dot) | 50x37 (16 dot) 66x50 (12 dot) | 40x30 (16 dot) 53x40 (12 dot) | 50x37 (16 dot) 66x50 (12 dot) | 40x30 (16 dot) 53x40 (12 dot) | 40x30 (16 dot) 53x40 (12 dot) | | 40x30 (16 dot) 53x40 (12 dot) | | 20x8 (16 dot) 26x10 (12 dot) |
| Memory for storage (ROM) | 57 MB | | | | | | 32 MB | | 9 MB | | 3 MB |
| Memory for operation (RAM) | 128 MB | | | | | | 80 MB | | 9 MB | | — |
| Built-in interface | RS232 | Transmission speed: 1 ch: 115200/57600/38400/19200/9600/4800bps | | | | | | | | | |
| | Connector shape | D-sub 9-pin (male) | | | | | | | | | |
| | RS422/485 | Transmission speed: 1 ch: 115200/57600/38400/19200/9600/4800bps | | | | | | | | | |
| | Connector shape | D-sub 9-pin (female) | | | | | | | | | |
| | Ethernet | 1 ch Data transfer method: 10BASE-T/100BASE-TX Connector shape: RJ-45 (modular jack) (GT2103-PMDBS: none) | | | | | | | | | |
| USB | Maximum transfer speed: High-Speed 480 Mbps, Connector shape: USB Mini-B | | | | | | | | | | |
| SD card | 1 ch SDHC compliant (maximum 32 GB) (GT2103: card slot optional) | | | | | | | | | | |
| Protective structure | Front: IP67F ⑤ In control panel: IP2X | | | | | | | | | | |

- ④ On LCD panels, bright dots (permanently lit) and black dots (never lit) generally appear. Because the number of display elements that exist on an LCD panel is large, it is not possible to reduce appearance of the bright and black dots to zero. Individual differences in LCD panels may cause differences in color, uneven brightness and flickering. Note that these are characteristics of LCD panels and it does not mean the products are defective or damaged.
- ⑤ Flickering may occur due to vibration or shock depending on the display colors.
- ⑥ Pressing "PUSH" mark firmly and locking the USB environmentally protective cover makes it conform to IP67F. (The USB interface conforms to IP2X when the cover is open.) However, this does not guarantee protection in all users' environments. The unit may not be used in an environment where it is exposed to splashing oil or chemicals for a long time or it is soaked with oil mist.
- ⑦ GT2710-STBA & GT2710-STBD Resolution: SVGA: 800x600 dots. Number of characters: 16-dot standard font: 50 chars. x 37 lines; 12-dot standard font: 66 chars. x 50 lines

Dimensions



| Type | A | A1 | B | C | D | D1 | E | F | F1 |
|-------------|-----|-----|-----|-------|----|----|-----|-----|-----|
| GT2715 | 397 | 322 | 300 | 322 | 60 | 6 | 382 | 281 | 10 |
| GT2712 | 316 | 241 | 246 | 241 | 52 | | 301 | 227 | |
| GT2710/2510 | 303 | 208 | 218 | 228 | 56 | 6 | 288 | 199 | 10 |
| GT2310 | | | | | 52 | | | | |
| GT2708/2508 | 241 | 166 | 194 | 171.6 | 52 | 6 | 226 | 175 | 10 |
| GT2308 | | | | 166 | 56 | | | | |
| GT2103 | 113 | 64 | 74 | 64 | 27 | 4 | 104 | 65 | 9.5 |

All dimensions in mm

European Offices

| | | | |
|---|-------------|---|--------|
| Mitsubishi Electric Europe B.V. Gothaer Straße 8 D-40880 Ratingen Phone: +49 (0)2102 / 486-0 | Germany | Mitsubishi Electric (Russia) LLC 52, bld. 1 Kosmodamianskaya emb. RU-115054 Moscow Phone: +7 495 / 721 2070 | Russia |
| Mitsubishi Electric Europe B.V. Radlická 75/113e Avenir Business Park CZ-158 00 Praha 5 Phone: +420 251 551 470 | Czech Rep. | Mitsubishi Electric Europe B.V. Carretera de Rubí 76-80 Apdo. 420 E-08190 Sant Cugat del Valles (Barcelona) Phone: +34 (0) 93 / 5653131 | Spain |
| Mitsubishi Electric Europe B.V. 25, Boulevard des Bouvets F-92741 Nanterre Cedex Phone: +33 (0) 1 / 55 68 55 68 | France | Mitsubishi Electric Europe B.V. (Scandinavia) Fjellvegøen 8 SE-22736 Lund Phone: +46 (0) 8 625 10 00 | Sweden |
| Mitsubishi Electric Europe B.V. Viale Collei 7 Palazzo Sino I-20864 Agrate Brianza (MB) Phone: +39 039 / 60 53 1 | Italy | Mitsubishi Electric Turkey Elektrik Ürünleri A.Ş. Serifali Mahallesi Nutuk Sokak No:5 TR-34775 Ümraniye-İSTANBUL Phone: +90 (0)216 / 526 39 90 | Turkey |
| Mitsubishi Electric Europe B.V. Westgate Business Park, Ballymount IRL-Dublin 24 Phone: +353 (0) 1 4198800 | Ireland | Mitsubishi Electric Europe B.V. Travellers Lane UK-Hatfield, Herts. AL10 8XB Phone: +44 (0)1707 / 28 87 80 | UK |
| Mitsubishi Electric Europe B.V. Nijverheidsweg 23a NL-3641RP Mijdrecht Phone: +31 (0) 297250350 | Netherlands | Mitsubishi Electric Europe B.V. Dubai Silicon Oasis United Arab Emirates - Dubai Phone: +971 4 3724716 | UAE |
| Mitsubishi Electric Europe B.V. ul. Krakowska 50 PL-32-083 Balice Phone: +48 (0) 12 347 65 00 | Poland | | |

Representatives

| | | | | | | | | | |
|---|------------------------|--|------------|--|-------------|---|-------------|--|--------------|
| GEVA Wiener Straße 89 A-2500 Baden Phone: +43 (0)2252 / 85 55 20 | Austria | Beijer Electronics A/S Lyksegardsvej 17 DK-4000 Roskilde Phone: +45 (0)46 / 75 76 66 | Denmark | Beijer Electronics SIA Ritausmas iela 23 LV-1058 Riga Phone: +371 (0)6 / 784 2280 | Latvia | Sirius Trading & Services Aleea Lacul Morii Nr. 3 RO-060841 Bucuresti, Sector 6 Phone: +40 (0)21 / 430 40 06 | Romania | ILAN & GAVISH Ltd. 24 Shenkar St., Kiryat Atie IL-49001 Petah-Tikva Phone: +972 (0)3 / 922 18 24 | Israel |
| OOO TECHNIKON Prospect Nezavisimosti 177-9 BY-220125 Minsk Phone: +375 (0)17 / 393 1177 | Belarus | HANS FOLSGAARD A/S Carretera de Rubí 76-80 Apdo. 420 DK-4600 Køge Phone: +45 4320 8600 | Denmark | Beijer Electronics UAB Goštautu g. 3 LT-48324 Kaunas Phone: +370 37 262707 | Lithuania | INEA SR d.o.o. Ul. Karadrijeva 12/217 SER-11300 Smederevo Phone: +386 (0)26 / 461 54 01 | Serbia | GIRIT CELADON Ltd. 12 Haomanut Street IL-42505 Netanya Phone: +972 (0)9 / 863 39 80 | Israel |
| ESCO DRIVES Culliganlaan 3 BE-1831 Diegem Phone: +32 (0)2 / 717 64 60 | Belgium | Beijer Electronics Eesti OÜ Pärnu mnt.160i EE-11317 Tallinn Phone: +372 (0)6 / 51 81 40 | Estonia | ALFATRADE Ltd. 99, Paola Hill Malta-Paola PLA 1702 Phone: +356 (0)21 / 697 816 | Malta | SIMAP SK Jána Derku 1671 SK-911 01 Trenčín Phone: +421 (0)32 748 0472 | Slovakia | CEG LIBAN Cebaco Center/Block A Autostrade DORA Lebanon-Beirut Phone: +961 (0)1 / 240 445 | Lebanon |
| KONING & HARTMAN B.V. Woluwelaan 31 BE-1800 Wilvoorde Phone: +32 (0)2 / 257 02 40 | Belgium | Beijer Electronics OY Vanha Nurmiinjärventie 62 FIN-01670 Vantaa Phone: +358 (0)2 / 463 500 | Finland | INTEHISIS SRL bld. Traian 23/1 MD-2060 Kishinev Phone: +373 (0)22 / 66 4242 | Moldova | INEA RBT d.o.o. Stegne 11 SI-1000 Ljubljana Phone: +386 (0)1 / 513 8116 | Slovenia | ADROIT TECHNOLOGIES 20 Waterford Office Park 189 Witkoppen Road ZA-Fourways Phone: +27 (0)11 / 658 8100 | South Africa |
| INEA RBT d.o.o. Stegne 11 SI-1000 Ljubljana Phone: +386 (0)1 / 513 8116 | Bosnia and Herzegovina | PROVENDOR OY Stegne 11 FIN-28130 Pori Phone: +358 (0)1 / 431-9726 | Finland | HIFLEX AUTOM. B.V. Wolwevestraat 22 NL-2984 CD Ridderkerk Phone: +31 (0)180 / 46 60 04 | Netherlands | Beijer Electronics Automation AB Box 426 SE-20124 Malmö Phone: +46 (0)40 / 35 86 00 | Sweden | | |
| AKHNATON 4, Andrei Lipachev Blvd., P.O. Box 21 BG-1756 Sofia Phone: +359 (0)2 / 817 6000 | Bulgaria | UTECO A.B.E.E. 5, Mavrogenous Str. GR-18542 Piraeus Phone: +30 (0)211 / 1206-900 | Greece | KONING & HARTMAN B.V. NL-2627 AP Delft Phone: +31 (0)15 260 99 06 | Netherlands | OMNI RAY AG Im Schörlis CH-8600 Dübendorf Phone: +41 (0)44 / 802 28 80 | Switzerland | | |
| INEA CR Losinjka 4 a HR-10000 Zagreb Phone: +385 (0)1 / 36 940 - 017 - 02 / -03 | Croatia | MELTRADE Kft. Fertő utca 14, HU-1107 Budapest Phone: +36 (0)1 / 431-9726 | Hungary | Beijer Electronics AS Postboks 487 NO-3002 Drammen Phone: +47 (0)2 / 34 30 00 | Norway | OOO "CSC AUTOMATION" 4-B, M. Raszkoviy St. UA-02660 Kiev Phone: +380 (0)44 / 494 33 44 | Ukraine | | |
| KaufCont C.S. S.R.O. Kafkova 1853/3 CZ-702 00 Ostrava 2 Phone: +420 595 691 150 | Czech Republic | T00 Kazpromavtomatika Ul. Zhambyla 28 KAZ-100017 Karaganda Phone: +7 7212 / 50 10 00 | Kazakhstan | Fonseca S.A. R. João Francisco do Casal 87/89 PF-3801-997 Aveiro, Esqueira Phone: +351 (0)234 / 303 900 | Portugal | | | | |



Mitsubishi Electric Europe B.V. / FA - European Business Group / Gothaer Straße 8 / D-40880 Ratingen / Germany / Tel.: +49(0)2102-4860 / Fax: +49(0)2102-4861120 / info@mitsubishi-automation.com / https://eu3a.mitsubishielectric.com

Art. no. 271500-B / 11.2014 / Specifications subject to change / All trademarks and copyrights acknowledged.

