

## The Rittal range of terminal boxes

offers 44 practical designs, developed and improved in constant dialogue with users. Whether with or without gland plates, in stainless steel, EMC version or simply painted, in 80 mm or 120 mm depth – Rittal has the correct solution for you.

Extremely shallow spot welded profile strips on both sides with mounting holes, partly tapped, ensure maximum installation height, and a facility for installing C rails, top hat rails and mounting plates.

The multi-folded enclosure protection channel provides additional stability and prevents the ingress of dirt and water when the box is opened.

Terminal boxes with gland plates have equal sized gland plate apertures and common mounting holes, making them suitable for buying.

A perfect seal is guaranteed by the highly elastic, all-round, foamed-in PU seal and is easily overpainted. It provides a protection category of IP 66 to EN 60 529/10.91 for solid boxes and IP 55 to EN 60 529/10.91 for boxes with gland plates.

## KL terminal boxes have the following approvals:

- UL
- CSA
- TÜV
- Germanischer Lloyd
- Norske Veritas
- Russian Maritime Register of Shipping
- Lloyds Register of Shipping
- Bureau Veritas
- VDE



KL terminal boxes						
Dimensions		Model No. KL without gland plate		Model No. KL with gland plate	Model No. KL stainless steel	
Width mm	Height mm	80 mm depth	120 mm depth	120 mm depth	80 mm depth	120 mm depth
150	150	1514.210	1500.210	–	1521.010	–
200	150	1528.210	1529.210	–	–	–
200	200	1516.210	1502.210	–	1523.010	–
300	150	1515.210	1501.210	1530.210	1522.010	–
300	200	1517.210	1503.210	1531.210	1524.010	–
300	300	–	1507.210	1535.210	–	1526.010
400	150	–	1589.210	–	–	–
400	200	1518.210	1504.210	1532.210	–	1525.010
400	300	–	1508.210	1536.210	–	–
400	400	–	1511.210	1539.210	–	–
500	200	–	1505.210	1533.210	–	–
500	300	–	1509.210	1537.210	–	–
600	200	1519.210	1506.210	1534.210	–	–
600	300	–	1510.210	1538.210	–	–
600	400	–	1512.210	1540.210	–	–
800	200	–	1527.210	1542.210	–	–
800	400	–	1513.210	1541.210	–	–
Page		50/51	52/53	54/55	268/269	

## The alternative materials:

### Plastic

- PK see page 32/33
- KS see page 86/87

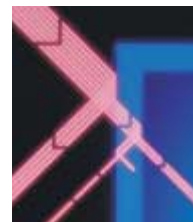
### Cast aluminium

- GA see page 40/41

KL terminal boxes, EMC shielded				
Width mm	Height mm	Depth mm	Model No. KL	Page
300	300	120	1507.710	302/303



KL terminal boxes, stainless steel see page 268/269.



KL terminal boxes, EMC shielded see page 302/303.

## Accessories



### Quick-release fastener

The sturdy quick-release fastener saves time during inspection and maintenance. For installation in the cover hole and enclosure bracket; no drilling required.

Packs of	Model No. KL
12	1593.000

German patent no. P 34 78 561  
US patent no. 4,550,852



### Cover hinge

The cover hinge is simply screwed to the box protection channel and to the edge fold.

Packs of	Model No. KL
6	1592.000

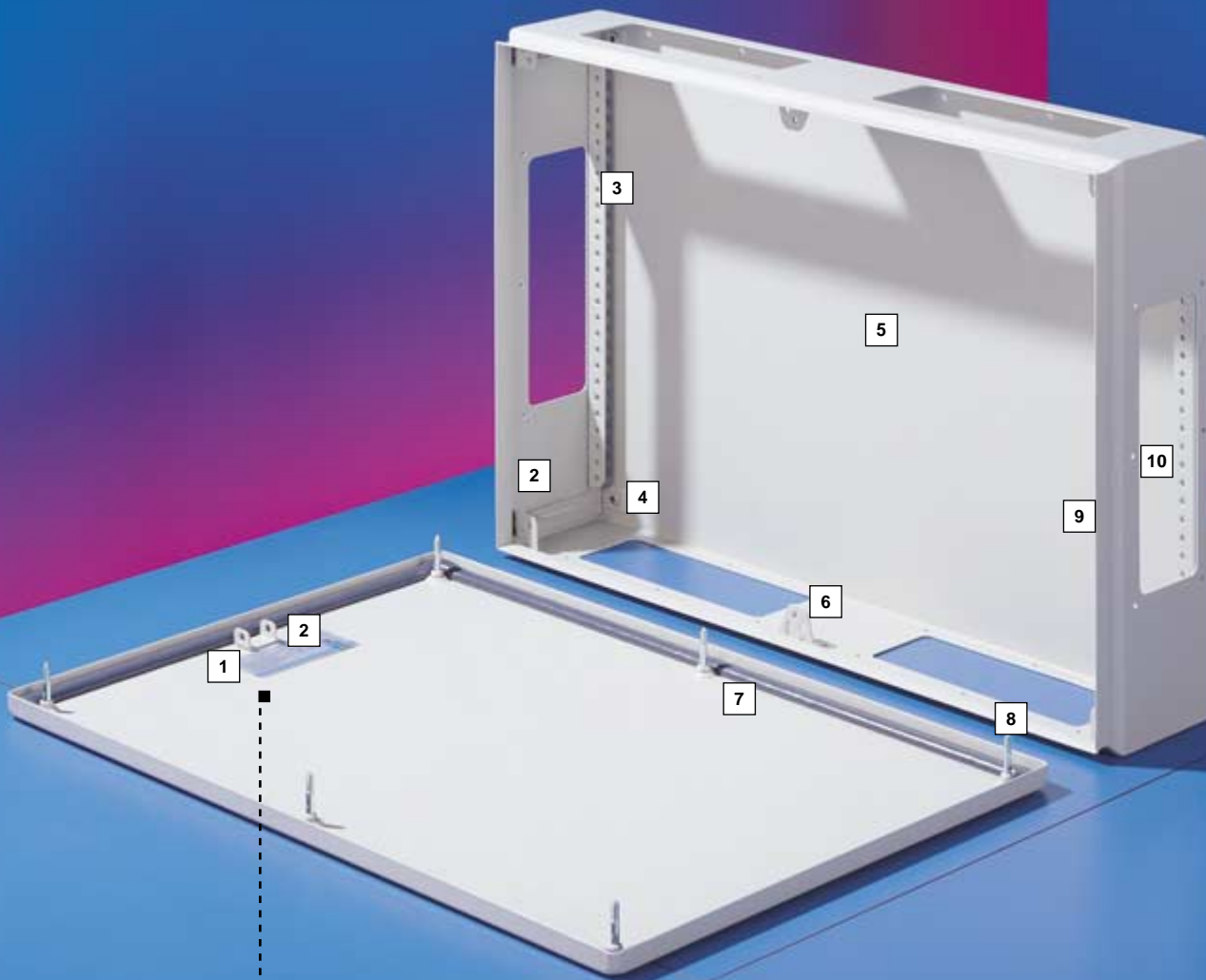
German patent no. P 33 40 491



### Cover retainer

The cover retainer is easily fitted without drilling, and allows the covers to be opened upwards, even when the terminal box below is bayed.

Packs of	Model No. KL
3 pairs	1591.000



**1** Additional mounting facility for retaining cords – simple and time-saving.

**3** Profile strips on both sides with mounting holes, partly tapped, ensure maximum installation height. Facility for installing C rails, top hat rails and mounting plates.

**5** Electrophoretic dipcoat priming and powder coating provide reliable surface protection, with uniform coating in all corners and on all edges.

**7** Foamed PU seal guarantees perfect sealing. IP 66 to EN 60 529/10.91 for solid boxes, IP 55 to EN 60 529/10.91 for boxes with gland plates.

**9** Multi-folded box protection channel provides additional stability and prevents the ingress of dirt and water when the box is opened.

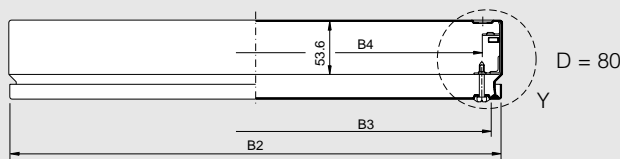
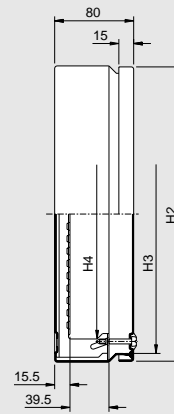
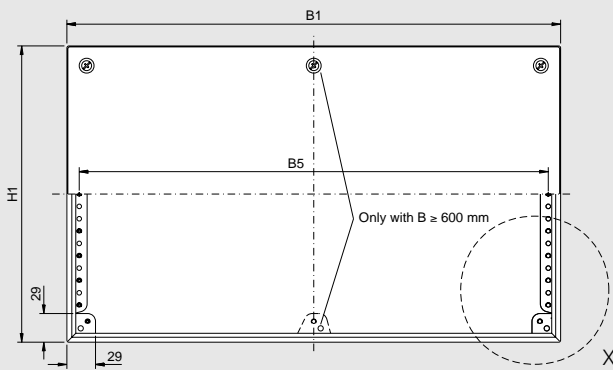
**2** Facilities for connecting PE conductors in the cover and box.

**4** Holes (except in KL stainless steel) and pre-punchings in the rear panel facilitate direct wall mounting, and also permit the use of wall mounting brackets.

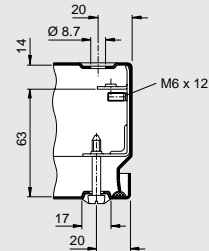
**6** Universal mounting level for cover screws, quick-release fastener KL 1593.000 and cover retainer KL 1591.000. No additional drilling required; the protection category is maintained.

**8** Special plastic bushes seal the cover screws and guard against accidental loss, whilst at the same time providing positive screwdriver guidance.

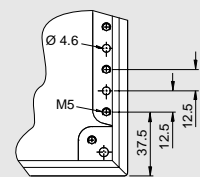
**10** In terminal boxes with gland plates, equal-sized gland apertures and common attachment holes make them suitable for buying.



Detail Y  
D = 80



Detail X



### KL terminal boxes without gland plate

Width (B1) in mm	Packs of	150	200	200	300	300	400	600	Page
Height (H1) in mm		150	150	200	150	200	200	200	
Depth in mm		80	80	80	80	80	80	80	
<b>Model No. KL</b>	<b>1</b>	<b>1514.210</b>	<b>1528.210</b>	<b>1516.210</b>	<b>1515.210</b>	<b>1517.210</b>	<b>1518.210</b>	<b>1519.210</b>	
B2 = Cover width		148	198	198	298	298	398	598	
B3 = Clearance width of enclosure		132	182	182	282	282	382	582	
B4 = Clearance frame/width between profile strips		109	159	159	259	259	359	559	
B5 = Distance between axes of the mounting holes in the profile strips		125	175	175	275	275	375	575	
H2 = Cover height		148	148	198	148	198	198	198	
H3 = Clearance height of enclosure		132	132	182	132	182	182	182	
H4 = Clearance frame/height between profile strips		100	100	150	100	150	150	150	
Weight (kg)		1.4	1.6	1.9	2.1	2.6	3.2	4.6	

### Accessories

Mounting plate KL	1	1560.700	1575.700	1562.700	1561.700	1563.700	1564.700	1566.700	965
Support rail TS 35/7.5 SZ	10	2314.000	2315.000	2315.000	2316.000	2316.000	2317.000	–	983
Support rail TS 35/15 SZ	10	–	–	–	–	–	–	2319.000	983

For primed enclosures in RAL 7044, please add extension .310 to the Model No. For textured RAL 7035, use extension .510. Delivery times available on request.

# TERMINAL BOXES KL

without gland plate, depth: 80



## + Accessories:

See page 876/877  
or refer to index.

### Supply includes:

Box, cover with all-round foamed PU seal and cover screws, incl. plastic bushes.

### Material:

Sheet steel  
Box: 1.25 mm;  
Cover: 1.25 mm

### Surface finish:

Box and cover:  
Dipcoat primed in RAL 7044,  
powder coated in textured  
RAL 7032 on the outside

### Protection category:

IP 66 to EN 60 529/10.91  
Complies with NEMA 4.



### Wall mounting bracket

For secure attachment of the box to the wall.

Model No. see page 962.



### Mounting plate

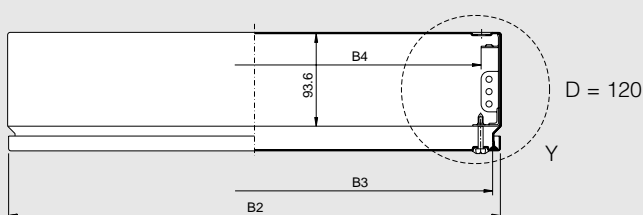
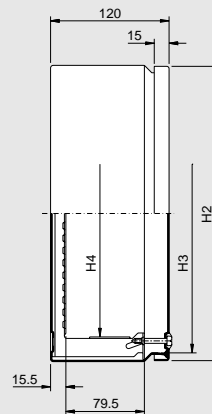
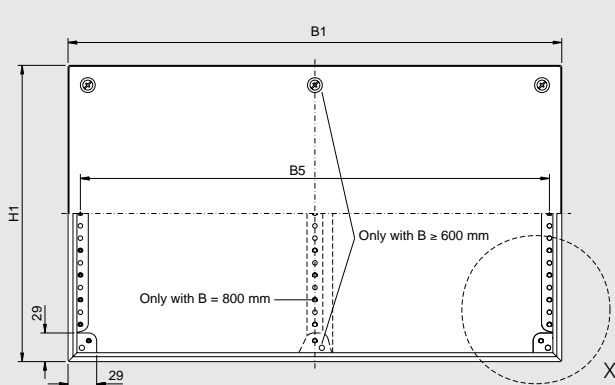
Also allows components to be installed before mounting in the box.

Model No. see page 965.

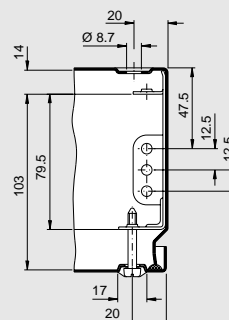


**Support rails** to accommodate terminal blocks and electrical equipment.

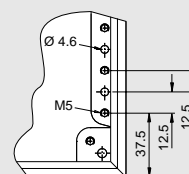
Model No. see page 983.



Detail Y  
D = 120



Detail X



**KL terminal boxes without gland plate, width 150, 200, 300 and 400 mm**

Width (B1) in mm	Packs of	150	200	200	300	300	300	300	400	400	400	400
Height (H1) in mm		150	150	200	150	200	300	150	200	300	400	
Depth in mm		120	120	120	120	120	120	120	120	120	120	
<b>Model No. KL</b>	1	<b>1500.210</b>	<b>1529.210</b>	<b>1502.210</b>	<b>1501.210</b>	<b>1503.210</b>	<b>1507.210</b>	<b>1589.210</b>	<b>1504.210</b>	<b>1508.210</b>	<b>1511.210</b>	
Mounting plate, see page 965	1	1560.700	1575.700	1562.700	1561.700	1563.700	1567.700	1576.700	1564.700	1568.700	1571.700	
B2 = Cover width		148	198	198	298	298	298	398	398	398	398	
B3 = Clearance width of enclosure		132	182	182	282	282	282	382	382	382	382	
B4 = Clearance frame/width between profile strips		109	159	159	259	259	259	359	359	359	359	
B5 = Distance between axes of the mounting holes in the profile strips		125	175	175	275	275	275	375	375	375	375	
H2 = Cover height		148	148	198	148	198	298	148	198	298	398	
H3 = Clearance height of enclosure		132	132	182	132	182	282	132	182	282	382	
H4 = Clearance frame/height between profile strips		100	100	150	100	150	250	100	150	250	350	
Weight (kg)		1.6	1.8	2.3	2.6	3.0	4.0	3.2	3.6	4.8	6.2	

**KL terminal boxes without gland plate, width 500, 600 and 800 mm**

Width (B1) in mm	Packs of	500	500	600	600	600	800	800
Height (H1) in mm		200	300	200	300	400	200	400
Depth in mm		120	120	120	120	120	120	120
<b>Model No. KL</b>	1	<b>1505.210</b>	<b>1509.210</b>	<b>1506.210</b>	<b>1510.210</b>	<b>1512.210</b>	<b>1527.210</b>	<b>1513.210</b>
Mounting plate, see page 965	1	1565.700	1569.700	1566.700	1570.700	1572.700	1574.700	1573.700
B2 = Cover width		498	498	598	598	598	798	798
B3 = Clearance width of enclosure		482	482	582	582	582	782	782
B4 = Clearance frame/width between profile strips		459	459	559	559	559	759	759
B5 = Distance between axes of the mounting holes in the profile strips		475	475	575	575	575	775	775
H2 = Cover height		198	298	198	298	398	198	398
H3 = Clearance height of enclosure		182	282	182	282	382	182	382
H4 = Clearance frame/height between profile strips		150	250	150	250	350	150	350
Weight (kg)		4.4	5.8	5.7	6.8	8.4	6.8	11.0

For primed enclosures in RAL 7044, please add extension .310 to the Model No. For textured RAL 7035, use extension .510. Delivery times available on request.

# TERMINAL BOXES KL

without gland plate, depth: 120



## + Accessories:

See page 876/877  
or refer to index.

### Supply includes:

Box, cover with all-round foamed PU seal and cover screws, incl. plastic bushes.

### Material:

Sheet steel  
Box: 1.25 mm;  
1.38 mm with KL 1507.210 to  
KL 1513.210  
Cover: 1.25 mm

### Surface finish:

Box and cover:  
Dipcoat primed in RAL 7044,  
powder coated in textured  
RAL 7032 on the outside

### Protection category:

IP 66 to EN 60529/10.91  
Complies with NEMA 4.



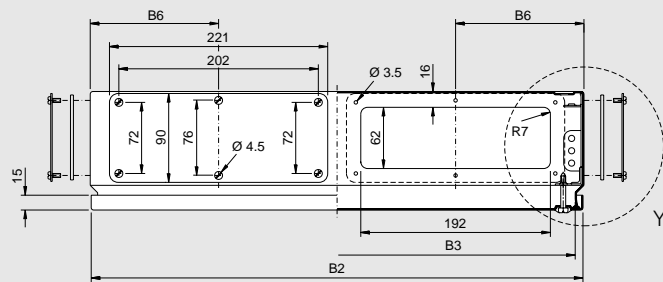
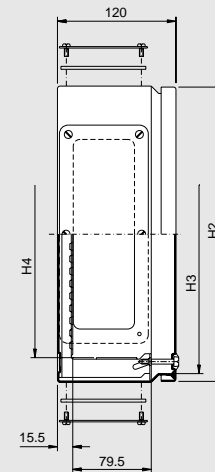
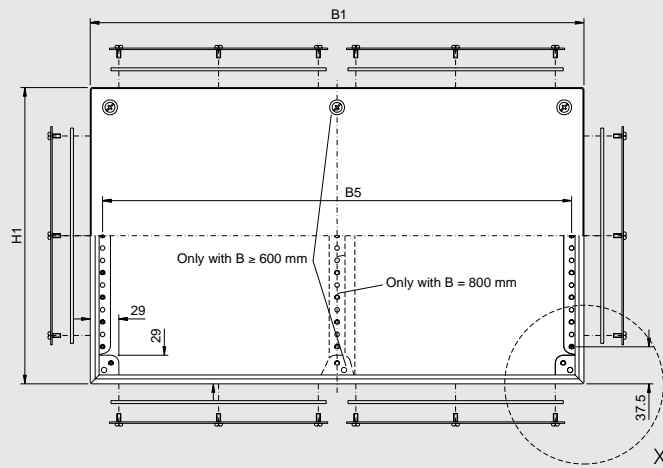
**Cable retainer**  
For individual attachment of  
support rails.  
Model No. see page 983.



**Mounting clip** for support  
rails. For fastening e.g.  
cable ducts.  
Model No. see page 983.



**Housing coupling**  
**CP 6525.100** for swivel  
mounting of the terminal  
boxes to the support arm  
system. Model No. s. p. 251.



**Supply includes:**

Boxes with gland apertures, cover with foamed-in special seal and cover screws incl. plastic bushes, sheet steel gland plates with seals and assembly parts.

**Detail drawings X and Y**  
see page 52/53.

**KL terminal boxes with gland plate, width 300 and 400 mm**

Width (B1) in mm	Packs of	300	300	300	400	400	400
Height (H1) in mm		150	200	300	200	300	400
Depth in mm		120	120	120	120	120	120
<b>Model No. KL</b>	1	<b>1530.210</b>	<b>1531.210</b>	<b>1535.210</b>	<b>1532.210</b>	<b>1536.210</b>	<b>1539.210</b>
Mounting plate, see page 965	1	1561.700	1563.700	1567.700	1564.700	1568.700	1571.700
B2 = Cover width		298	298	298	398	398	398
B3 = Clearance width of enclosure		282	282	282	382	382	382
B5 = Distance between axes of the mounting holes in the profile strips		275	275	275	375	375	375
B6 = Distance from outer edge of enclosure to centre of gland plate		150	150	150	200	200	200
H2 = Cover height		148	198	298	198	298	398
H3 = Clearance height of enclosure		132	182	282	182	282	382
H4 = Clearance frame/height between profile strips		100	150	250	150	250	350
Gland apertures/width (top + bottom)		1 + 1	1 + 1	1 + 1	1 + 1	1 + 1	1 + 1
Gland apertures/height (left + right)		-	-	1 + 1	-	1 + 1	1 + 1
Weight (kg)		2.7	3.3	4.5	4.0	5.2	6.7

**KL terminal boxes with gland plate, width 500, 600 and 800 mm**

Width (B1) in mm	Packs of	500	500	600	600	600	800	800
Height (H1) in mm		200	300	200	300	400	200	400
Depth in mm		120	120	120	120	120	120	120
<b>Model No. KL</b>	1	<b>1533.210</b>	<b>1537.210</b>	<b>1534.210</b>	<b>1538.210</b>	<b>1540.210</b>	<b>1542.210</b>	<b>1541.210</b>
Mounting plate, see page 965	1	1565.700	1569.700	1566.700	1570.700	1572.700	1574.700	1573.700
B2 = Cover width		498	498	598	598	598	798	798
B3 = Clearance width of enclosure		482	482	582	582	582	782	782
B5 = Distance between axes of the mounting holes in the profile strips		475	475	575	575	575	775	775
B6 = Distance from outer edge of enclosure to centre of gland plate		130	130	150	150	150	150	150
H2 = Cover height		198	298	198	298	398	198	398
H3 = Clearance height of enclosure		182	282	182	282	382	182	382
H4 = Clearance frame/height between profile strips		150	250	150	250	350	150	350
Gland apertures/width (top + bottom)		2 + 2	2 + 2	2 + 2	2 + 2	2 + 2	3 + 3	3 + 3
Gland apertures/height (left + right)		-	1 + 1	-	1 + 1	1 + 1	-	1 + 1
Weight (kg)		4.9	5.2	5.9	7.7	9.0	7.2	12.0

For primed enclosures in RAL 7044, please add extension .310 to the Model No. For textured RAL 7035, use extension .510. Delivery times available on request.

# TERMINAL BOXES KL

with gland plate



## + Accessories:

See page 876/877  
or refer to index.

### Material:

Box: Sheet steel 1.38 mm;  
1.25 mm with KL 1530.210 to  
KL 1534.210 and KL 1542.210  
Cover: Sheet steel 1.25 mm

### Surface finish:

Box and cover:  
Dipcoat primed in RAL 7044,  
powder coated in textured  
RAL 7032 on the outside

### Protection category:

IP 55 to EN 60529/10.91  
Complies with NEMA 12.



**Plastic gland plate**  
With prepunched holes for PG  
cable glands.  
Model No. see page 896.



**Cover hinges and quick-  
release fastener**  
– the alternative for fast  
opening.  
Model No. see page 48.



**Metal gland plates**  
With cutout for 16 or 24-pole  
connectors.  
Model No. see page 896.