

Perfect and complete – at a super price

For many years, Rittal have offered their customers a wide choice of terminal boxes in various designs and sizes. Whether with or without gland plate, primed, painted or in stainless steel, as plastic enclosures or as terminal boxes for the Ex sector – Rittal has the right enclosure to suit every application.

This broad selection of terminal boxes has been extended to include the Rittal PK range of terminal boxes made from fibre-glass-reinforced polycarbonate. These boxes, which are capable of withstanding extremely high loads, are ideal for use in situations where dust-proof, water-proof, fully insulated and corrosion-free encapsulation of electrical and electronic components is required.

Practical environmental protection

Rittal has a long-standing tradition of commitment to environmental protection issues. With the PK range of enclosures, Rittal once again demonstrates its environmental responsibility and awareness:

- Enclosures and lid screws are made of plastic and are readily recyclable.
- Population of enclosures does not require the use of metallic nuts.
- Packaging for enclosures and accessories is made from environmentally-friendly materials, such as paper and cardboard.

Utilise the Rittal concepts for cost optimisation. By consistently exploiting every means of rationalisation, particularly in large-scale production, Rittal offers exceptional value for money with the PK enclosure range. Outstanding quality of materials and workmanship at amazingly low prices.

Quality comes as standard – together with safety.

Safety and quality are trumps with Rittal PK enclosures. The use of fibreglass-reinforced polycarbonate ensures excellent insulating properties and a high level of resistance to chemical and mechanical influences. The all-round foamed-in PU seal is permanently safe and temperature resistant up to 80 °C. With the high protection category IP 66 to EN 60 529/10.91, all enclosures give complete protection from dust and hosed water.

Approvals:

Bureau Veritas

PK enclosures					Page
Width mm	Height mm	Depth mm	Model No. PK Enclosure with grey lid	Model No. PK Enclosure with transparent lid	
65	65	57	9500.000	9500.100	34/35
65	65	81	9501.000	9501.100	
94	65	57	9502.000	9502.100	
94	65	81	9503.000	9503.100	
94	94	57	9504.000	9504.100	
94	94	81	9505.000	9505.100	
110	110	66	9506.000	9506.100	
110	110	90	9507.000	9507.100	
130	94	57	9508.000	9508.100	
130	94	81	9509.000	9509.100	
130	130	75	9510.000	9510.100	
130	130	99	9511.000	9511.100	
180	94	57	9512.000	9512.100	
180	94	81	9513.000	9513.100	
180	110	90	9514.000	9514.100	
180	110	111	9515.000	9515.100	
180	110	165	9516.000	9516.100	
182	180	90	9517.000	9517.100	
182	180	111	9518.000	9518.100	
182	180	165	9519.000	9519.100	
254	180	90	9520.000	9520.100	
254	180	111	9521.000	9521.100	
254	180	165	9522.000	9522.100	
361	254	111	9523.000	9523.100	
361	254	165	9524.000	9524.100	

Material properties

Product description	Fibreglass-reinforced polycarbonate enclosure	Transparent polycarbonate lid	PU seals
Bulk density to DIN 53 457	1.30	1.20	0.25
Impact strength to DIN 53 453	without rupture	without rupture	–
Toxic behaviour	halogen-free	halogen-free	halogen-free
Colour shade	RAL 7035	smoked glass	dark grey
Temperature resistance			
Short-term (hours)	130 °C	130 °C	110 °C
Continuous (months)	120 °C	120 °C	80 °C
To minus	–35 °C	–35 °C	–35 °C
Fire protection			
To UL 94	V-1	V-2	–
To VDE 0471	960 °C	850 °C	650 °C
Chemical stability			
Water	resistant	resistant	resistant
Alcohol	resistant	limited resistance	limited resistance
Petrol	resistant	limited resistance	limited resistance
Diesel	limited resistance	limited resistance	limited resistance
Benzene	not resistant	not resistant	limited resistance
Mineral oil	resistant	resistant	resistant
Animal and vegetable oils	resistant	resistant	resistant
Weak alkaline solutions	not resistant	not resistant	limited resistance
Strong alkaline solutions	not resistant	not resistant	limited resistance
Weak acids	resistant	resistant	limited resistance



PK accessories

With a selection of practical accessories, the Rittal PK enclosure range offers professional solutions specifically for compact wiring systems and installations in confined spaces. See page 38/39.

Dielectric strength 25 – 35 kV/mm, DIN/VDE 0303.

All materials are halogen-free.

Protection category II to VDE 0660/IEC 439.

Impact strength rating 7 \geq 6 Joule.



1 Lid optionally transparent or grey, in various heights.

3 Screwdriver guide.

5 Prepared attachment points for flexible interior installation.

7 High protection category IP 66 to EN 60529/10.91 due to all-round foamed-in PU seal and tongue-and-groove system.

2 Snap-in turn-lock fasteners (accessory) for easy opening and closing.

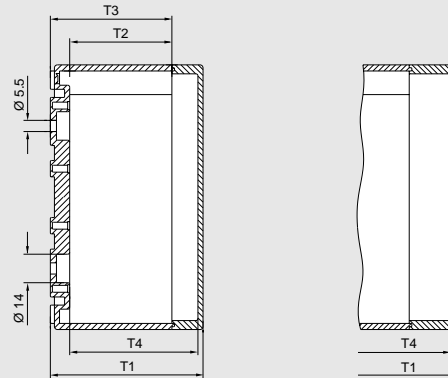
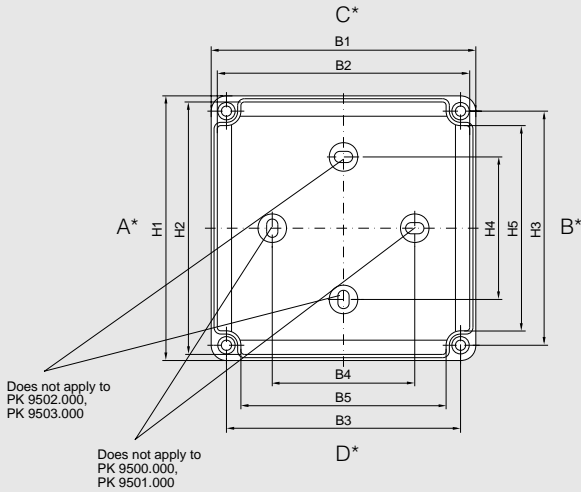
4 Lid screws provide the option of a tamper-proof seal.

6 Variable wall-mounting options using
a) mounting brackets (accessory)
b) screws within the box interior or
c) lid screw channel.

8 Smooth side walls for maximum installation flexibility.

PK 9500.000 / PK 9502.000
 PK 9504.000 / PK 9506.000
 PK 9508.000 / PK 9510.000
 PK 9512.000

PK 9501.000 / PK 9503.000
 PK 9505.000 / PK 9507.000
 PK 9509.000 / PK 9511.000
 PK 9513.000



B1 = overall width
 B2 = usable width
 B3 = centre/centre wall attachment outside the seal
 B4 = centre/centre wall attachment in the enclosure
 B5 = clearance width

H1 = overall height
 H2 = usable height
 H3 = centre/centre wall attachment outside the seal
 H4 = centre/centre wall attachment in the enclosure
 H5 = clearance height

T1 = overall depth
 T2 = usable side depth
 T3 = enclosure depth
 T4 = clearance height available for installation

Width (B1) in mm	65	65	94	94	94	94	110	110	130	130	130	130	180	180							
Height (H1) in mm	65	65	65	65	94	94	110	110	94	94	130	130	94	94							
Depth (T1) in mm	57	81	57	81	57	81	66	90	57	81	75	99	57	81							
Model No. PK	9500.	9501.	9502.	9503.	9504.	9505.	9506.	9507.	9508.	9509.	9510.	9511.	9512.	9513.							
Grey lid	.000		.000		.000		.000		.000		.000		.000								
Transparent lid	.100		.100		.100		.100		.100		.100		.100								
Packs of	12	12	8	8	6	6	6	6	4	4	4	4	2	2							
B2	59	59	88	88	88	88	104	104	124	124	124	124	174	174							
B3	50	50	79	79	79	79	95	95	115	115	115	115	165	165							
B4	-	-	50	50	50	50	65	65	90	90	70	70	120	120							
B5	36	36	64	64	64	64	80	80	101	101	101	101	150	150							
H2	59	59	59	59	88	88	104	104	88	88	124	124	88	88							
H3	50	50	50	50	79	79	95	95	79	79	115	115	79	79							
H4	25	25	-	-	50	50	65	65	50	50	70	70	50	50							
H5	36	36	36	36	64	64	80	80	64	64	101	101	64	64							
T2	33	33	33	33	33	33	42	42	33	33	51	51	33	33							
T3	41	41	41	41	41	41	50	50	41	41	59	59	41	41							
T4	45	69	45	69	45	69	53	77	45	69	63	87	45	69							
*Number of possible PG screwed cable glands per side	Side panel	AB/CD	AB/CD	AB	CD	AB	CD	AB/CD	AB/CD	AB/CD	AB/CD	AB	CD	AB	CD	AB	CD	AB	CD		
	7	1	1	1	3	1	3	3	3	8	8	3	5	3	5	10	10	3	7	3	7
	9	1	1	1	2	1	2	2	2	3	3	2	4	2	4	8	8	2	6	2	6
	11	1	1	1	2	1	2	2	2	3	3	2	4	2	4	8	8	2	5	2	5
	13.5	1	1	1	2	1	2	2	2	2	2	2	3	2	3	3	3	2	5	2	5
	16	1	1	1	2	1	2	2	2	2	2	2	3	2	3	3	3	2	4	2	4
	21	-	-	-	-	-	-	-	-	2	2	-	-	-	-	2	2	-	-	-	-
	29	-	-	-	-	-	-	-	-	-	-	-	-	-	-	2	2	-	-	-	-
36	-	-	-	-	-	-	-	-	-	-	-	-	-	-	-	-	-	-	-	-	

Accessories for interior installation

Mounting plate PK	9540.000	9541.000	9542.000	9543.000	9544.000	9545.000	9546.000	
Packs of	12	12	12	12	12	10	10	
Support rail PK (Packs of 12)								
TS 15	Fixing in the width	9560.000	9561.000	9561.000	9562.000	9563.000	9563.000	-
	Fixing in the height	-	9560.000	9561.000	9562.000	9561.000	9563.000	9561.000
TS 35/7.5	Fixing in the width	-	-	9564.000	9564.000	9565.000	9565.000	9566.000
	Fixing in the height	-	-	9564.000	9564.000	9564.000	9565.000	9564.000

POLYCARBONATE ENCLOSURES PK

Width: 65 – 180, height: 65 – 94



Other accessories:

See page 38/39.

Materials and scope of supply:

Enclosure and grey lid (model .000) of fibreglass-reinforced polycarbonate, transparent lid (model .100) of polycarbonate, 4 lid screws of polyamide, insulating bungs for wall-attachment screws of polyethylene.

Seal:

All-round foamed-in PU seal.

Colour:

Light grey RAL 7035

Approvals:

Bureau Veritas

Protection category:

IP 66 to EN 60529/10.91



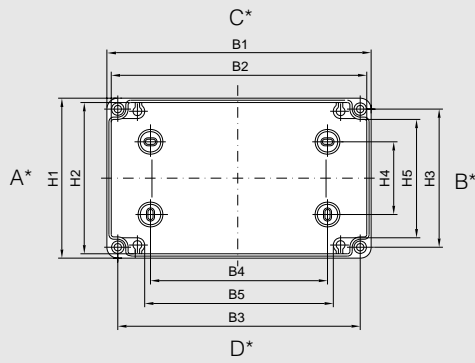
Mounting plate for stable, safe and flexible interior configuration.
Model No. see page 38.



Support rail to accommodate terminal blocks and installed equipment.
Model No. see page 38.



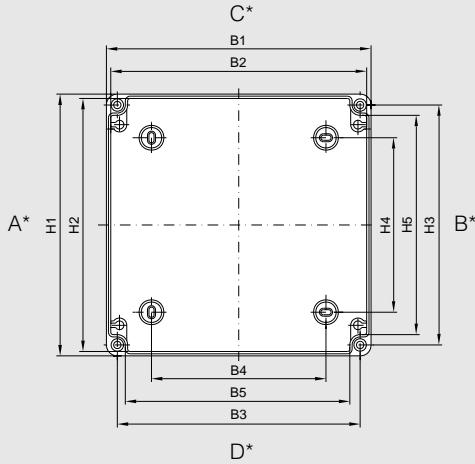
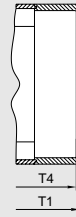
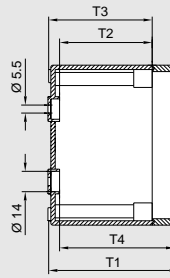
Hinges for hinged attachment of lids.
Model No. see page 39.



PK 9514.000

**PK 9515.000
PK 9523.000**

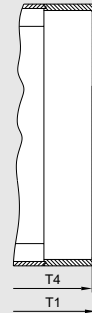
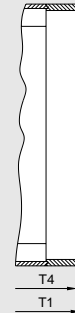
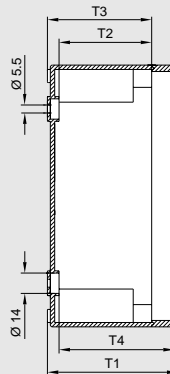
**PK 9516.000*
PK 9524.000***



**PK 9517.000
PK 9520.000**

**PK 9518.000
PK 9521.000**

**PK 9519.000*
PK 9522.000***



* with slanted lid

B1 = overall width
B2 = usable width
B3 = centre/centre wall attachment outside the seal
B4 = centre/centre wall attachment in the enclosure
B5 = clearance width

H1 = overall height
H2 = usable height
H3 = centre/centre wall attachment outside the seal
H4 = centre/centre wall attachment in the enclosure
H5 = clearance height

T1 = overall depth
T2 = usable side depth
T3 = enclosure depth
T4 = clearance height available for installation

Width (B1) in mm	180	180	180	182	182	182	254	254	254	360	360												
Height (H1) in mm	110	110	110	180	180	180	180	180	180	254	254												
Depth (T1) in mm	90	111	165	90	111	165	90	111	165	111	165												
Model No. PK	9514.	9515.	9516.	9517.	9518.	9519.	9520.	9521.	9522.	9523.	9524.												
Grey lid	.000			.000			.000			.000													
Transparent lid	.100			.100			.100			.100													
Packs of	2	2	2	1	1	1	1	1	1	1	1												
B2	173	173	173	175	175	175	247	247	247	355	355												
B3	165	165	165	167	167	167	239	239	239	346	346												
B4	120	120	120	120	120	120	190	190	190	240	240												
B5	128	128	128	152	152	152	224	224	224	309	309												
H2	103	103	103	173	173	173	173	173	173	248	248												
H3	95	95	95	165	165	165	165	165	165	239	239												
H4	50	50	50	120	120	120	120	120	120	190	190												
H5	80	80	80	128	128	128	128	128	128	224	224												
T2	63	63	63	63	63	63	63	63	63	63	63												
T3	71	71	71	71	71	71	71	71	71	71	71												
T4	75	97	150	75	97	150	75	97	150	97	150												
*Number of possible PG screw connections per side	Sides	AB	CD	AB	CD	AB	CD	AB	CD	AB	CD	AB	CD	AB	CD	AB	CD	AB	CD	AB	CD	AB	CD
	7	12	18	12	18	12	18	18	21	18	21	18	21	18	33	18	33	18	33	33	42	33	42
	9	6	10	6	10	6	10	10	12	10	12	10	12	10	20	10	20	10	20	20	24	20	24
	11	6	10	6	10	6	10	10	12	10	12	10	12	10	18	10	18	10	18	18	24	18	24
	13.5	6	8	6	8	6	8	8	10	8	10	8	10	8	16	8	16	8	16	16	20	16	20
	16	4	8	4	8	4	8	8	10	8	10	8	10	8	14	8	14	8	14	14	16	14	16
	21	2	3	2	3	2	3	3	4	3	4	3	4	3	6	3	6	3	6	6	8	6	8
	29	1	2	1	2	1	2	2	3	2	3	2	3	2	4	2	4	2	4	4	6	4	6
36	1	2	1	2	1	2	2	2	2	2	2	2	2	3	2	3	2	3	3	4	3	4	

POLYCARBONATE ENCLOSURES PK

Width: 180 – 360, height: 110 – 254



+ Other accessories:

See page 38/39.

Materials and scope of supply:

Enclosure and grey lid (model .000) of fibreglass-reinforced polycarbonate, transparent lid (model .100) of polycarbonate, 4 lid screws of polyamide, insulating bungs for wall attachment screws of polyethylene.

Seal:

All-round foamed-in PU seal.

Colour:

Light grey RAL 7035

Approvals:

Bureau Veritas

Protection category:

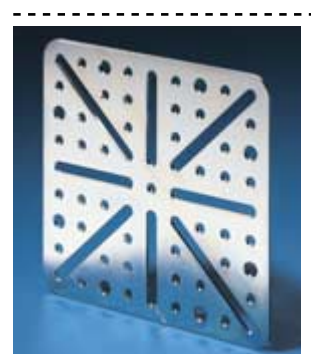
IP 66 to EN 60529/10.91



Wall mounting brackets
For permanently accessible attachment.
Model No. see page 39.



Turn-lock fastener
– the fast, convenient screw fastening aid.
Model No. see page 38.



Mounting plate
for universal interior installation.
Model No. see page 978.



Mounting plate

For individual configuration of the enclosure interior, the mounting plate offers a stable, secure and flexible design facility.

Design:

Melamine phenol-coated laminated paper, 2.5 mm thick, RAL 7035.

Supply includes:

Mounting plate with self-tapping mounting screws;
*with spacers.

To fit	Width mm	Height mm	Packs of	Model No. PK
PK 9500.000 / PK 9501.000	45	45	12	9540.000*
PK 9502.000 / PK 9503.000	74	45	12	9541.000*
PK 9504.000 / PK 9505.000	74	74	12	9542.000*
PK 9506.000 / PK 9507.000	90	90	12	9543.000*
PK 9508.000 / PK 9509.000	110	74	12	9544.000*
PK 9510.000 / PK 9511.000	110	110	10	9545.000
PK 9512.000 / PK 9513.000	160	74	10	9546.000
PK 9514.000 / PK 9515.000 / PK 9516.000	160	90	10	9547.000
PK 9517.000 / PK 9518.000 / PK 9519.000	150	150	10	9548.000
PK 9520.000 / PK 9521.000 / PK 9522.000	220	150	8	9549.000
PK 9523.000 / PK 9524.000	331	220	4	9550.000



Turn-lock fastener

A quick, convenient screw fastening aid is obtained by clipping into the head of the lid screw.

Design:

Material: Polyamide

	Packs of	Model No. PK
For all enclosures	40	9582.000



Support rail

The two support rail sections provide extensive flexibility to accommodate terminal blocks and installed components.

(TS 35/7.5);
the surface is zinc coated.

Supply includes:

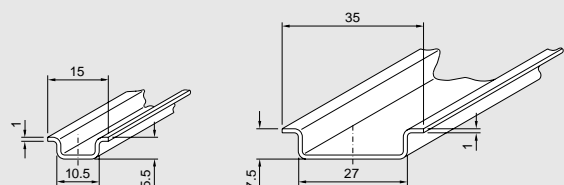
Support rail with two self-tapping screws.

Design:

The support rails are based on EN 50 045 (TS 15) and EN 50 022

Rail	Maximum number of terminals with the following terminal sizes			Rail length mm	Packs of	Model No. PK
	2.5 mm ²	4 mm ²	10 mm ²			
TS 15	5	5	4	45	12	9560.000
	11	11	8	75	12	9561.000
	14	14	10	87	12	9562.000
	18	18	13	106	12	9563.000
TS 35/7.5	12	9	5	81	12	9564.000
	17	13	8	106	12	9565.000
	24	20	11	144	12	9566.000
	38	32	19	216	12	9567.000
	61	50	30	336	12	9568.000

Calculation of the maximum number of terminals is based on two end holders and a lid.





Hinges

For hinged attachment of lids. The supplied drilling template ensures problem-free assembly.

Supply includes:

- 1 set = 2 hinges
- 4 screws
- 3 polyethylene sealing bungs
- 1 drilling template

For enclosures	Material	Packs of	Model No. PK
PK 9500.000 – PK 9513.000	Polycarbonate	10 sets	9580.000
PK 9514.000 – PK 9524.000	Polystyrene	10 sets	9581.000



Wall mounting brackets

The enclosure can be screwed to the wall using four wall mounting brackets. The bracket is securely attached to the enclosure by means of pins.

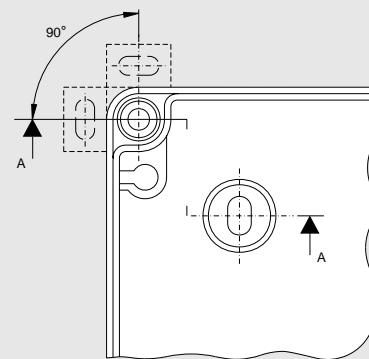
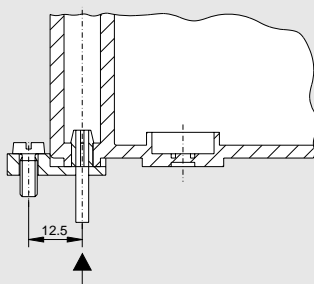
Design:

Material: Polyamide, grey

	Packs of	Model No. PK
For all enclosures	40	9583.000

The screw is located in the wall mounting bracket, making it accessible at all times.

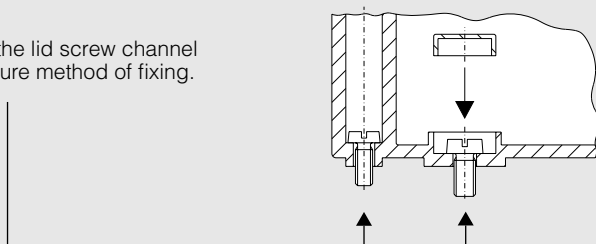
The wall mounting bracket may be fitted to the side or top.



Direct wall attachment (without a bracket) is also possible:

Variant 1

Wall attachment in the lid screw channel is a simple and secure method of fixing.



Variant 2

Mounting in the enclosure interior is also possible, by knocking out the hole in the enclosure base. The screws must be concealed using the sealing bungs provided. The spacing between the attachment holes is marked on the rear panel of the enclosure.