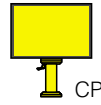


Simple selection of your required combination

The elements of the AP console system in depths 400 mm (blue) and 500 mm (red) may be combined in numerous user-specific variants, as shown in the diagram. The table opposite allows you to find the order number for your selection immediately.

Modern, slimline HMI (human/machine interfaces) and displays can also be used.



systems.

- VIP 6000, see page 172 – 195
- Optipanel, see page 196 – 207
- Support arm system CP-L, see page 242 – 255.

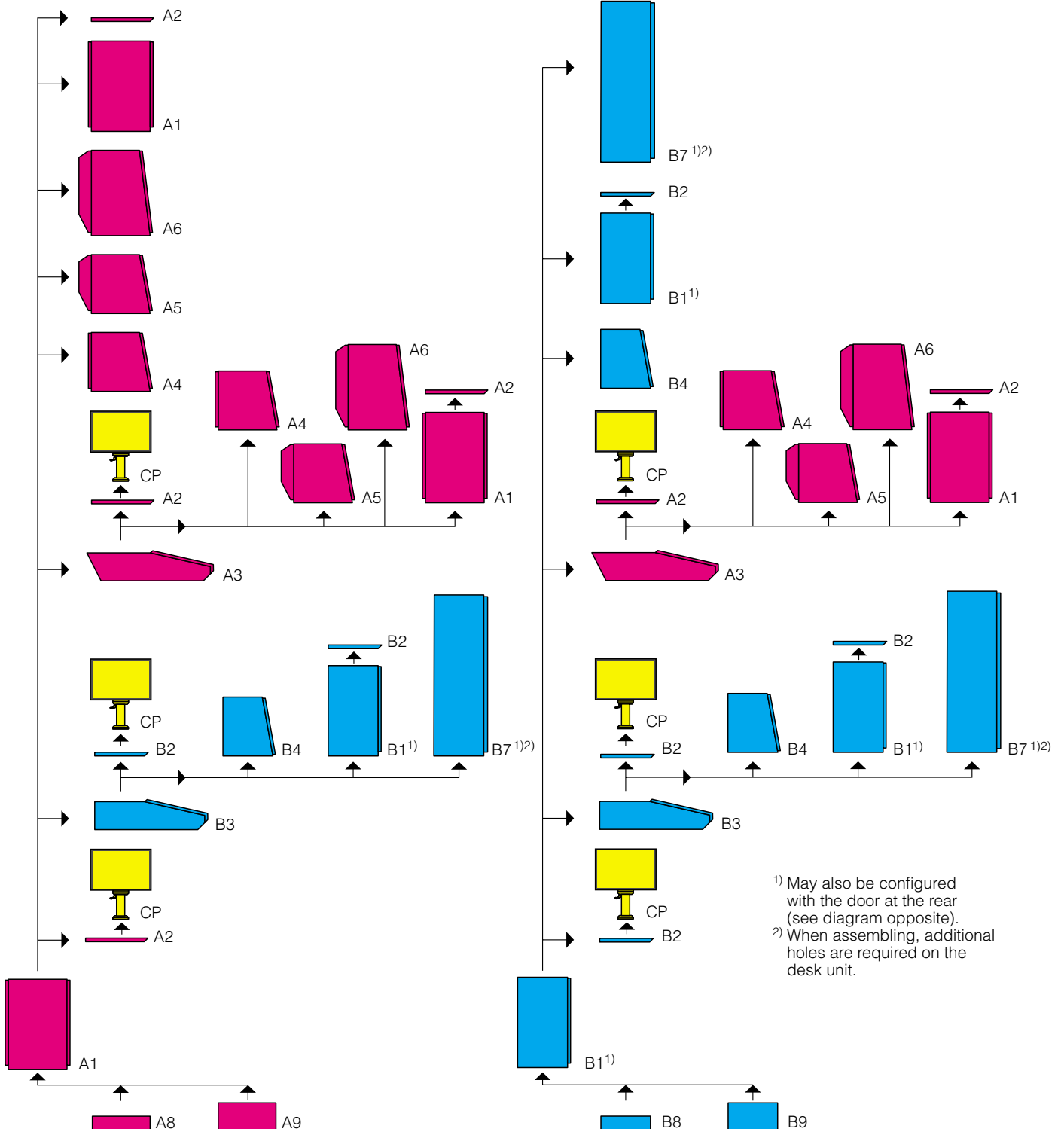
By integrating into the stylish, tailor-made command panel systems VIP 6000 and Optipanel (yellow), this produces a wide range of modern extension options for the classic AP console

Trim plate (A2/B2) with reinforcement and cutout for CP-L available on request.

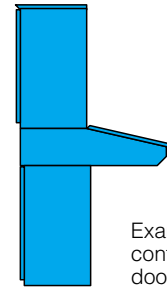
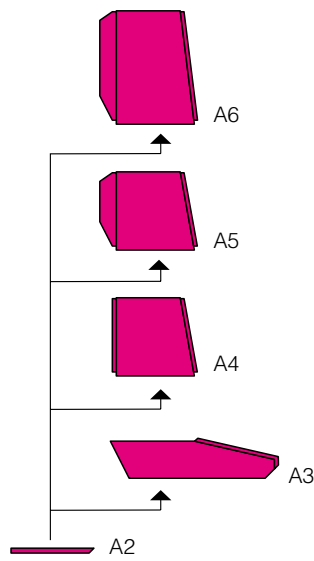
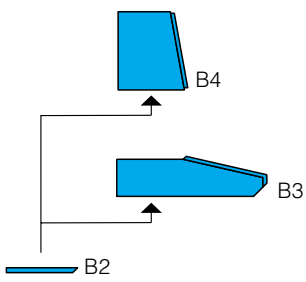
Screw-fastened from the inside:
Enclosure attachment CP 6525.500

Screw-fastened from the outside:
Wall/base mounting, small
CP 6520.500

Specify the dimensions for positioning on the trim plate and the Model No. of the mounting.



1) May also be configured with the door at the rear (see diagram opposite).
2) When assembling, additional holes are required on the desk unit.



Examples of configuration with doors at rear

For further information, see page 158/159.
Dimensional drawings, see page 160 – 163.

D = 500 mm				Height mm	D = 400 mm			
Width	800	1200	1600		Width	800	1200	1600
	Model No.	Model No.	Model No.		Model No.	Model No.	Model No.	
AK enclosure								
				1200		1648.600	1652.600	
Console								
	2647.600	2648.600	2649.600	630 with deep rear door				
Console								
	2662.600	2663.600	2664.600	430 with deep rear door				
Console								
	2614.600	2644.600	2654.600	430		2612.600	2642.600	2652.600
Desk unit								
	2613.200	2643.200	2653.200	200		2611.200	2641.200	2651.200
Trim panel								
	2616.200	2646.200	2656.200	28		2615.200	2645.200	2655.200
Pedestal								
	2610.600	2640.600	2650.600	670		2600.600	2620.600	2630.600
Base/plinth								
	2842.200	2852.200	2864.200	200		2902.200	2922.000	2962.200
	2841.200	2851.200	2863.200	100		2901.200	2921.200	2961.200

Multi-variable

The components of the AP console system can be combined in many user-specific variants. Modern flat screens and operator panels can also be used. By integrating into the stylish, customised command panel systems VIP 6000 and Optipanel,

this produces a wide range of modern extension options for the classic AP console systems.

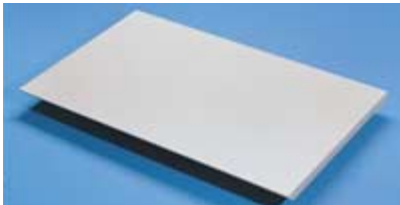
Combination options see page 156/157.

Protection category:

IP 55 to EN 60529/10.91
Complies with NEMA 12 (provided the appropriate parts are combined).

Technical details see page 160 – 163

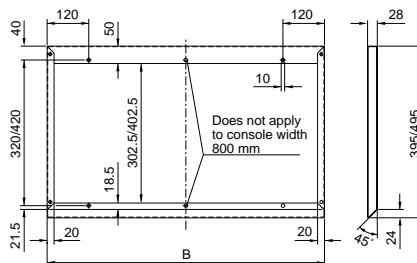
Trim panel



To finish off pedestals, desk units or consoles.

Material:
Sheet steel 1.5 mm

Surface finish:
Spray finished in RAL 7032



To fit		Model No. AP
Width mm	Depth mm	
800	400	2615.200
1200		2645.200
1600		2655.200
800	500	2616.200
1200		2646.200
1600		2656.200

To order in primed RAL 7044, please add extension .300 to the Model No. and for RAL 7035 add .500.
Delivery times available on request.

B = Width

Consoles



Supply includes	Material Sheet steel	Surface finish
Enclosure open at bottom	1.5 mm	Dipcoat primed in RAL 7044, powder-coated on the outside in textured RAL 7032
Door(s) hinged at the bottom with retaining cords at the front. For depth 500 mm: with door(s) at rear	2.0 mm	
Mounting plate. For depth 500 mm: adjustable on a 25 mm pitch pattern	3.0 mm	Zinc-plated

Width in mm	Packs of	800	1200	1600	800	1200	1600	800	1200	1600	800	1200	1600
Height in mm		430						430			630		
Depth in mm		400			500			500 with deep rear door					
Model No. AP	1	2612.600	2642.600	2652.600	2614.600	2644.600	2654.600	2662.600	2663.600	2664.600	2647.600	2648.600	2649.600
Number of lids		1	1	1	2	2	2	2	2	2	2	2	2
Weight (kg)		22.5	40.0	52.5	30.6	48.0	62.4	38.7	56.0	72.3	47.8	64.4	86.8

Lock inserts

Standard double-bit lock insert may be exchanged for 47 mm lock inserts, type D see page 942

Other accessories from page 876/877 or refer to index.

To order primed consoles in RAL 7044, please add extension .800 to the Model No. For RAL 7035, use extension .500. Delivery times available on request.

■ Desk units



Supply includes	Material Sheet steel	Surface finish
Enclosure open top and bottom	1.5 mm	Dipcoat primed in RAL 7044, powder-coated on the outside in textured RAL 7032
Console lid with cam and support stand	2.0 mm	

Width in mm	Packs of	800	1200	1600	800	1200	1600	Page
Height in mm		200						
Depth in mm		850 (for depth 400)			950 (for depth 500)			
Model No. AP	1	2611.200	2641.200	2651.200	2613.200	2643.200	2653.200	
Weight (kg)		25.5	35.5	44.0	30.6	42.6	52.8	

Accessories

Aluminium strip AP	3	2678.000	2682.000	–	2678.000	2682.000	–	934
--------------------	---	----------	----------	---	----------	----------	---	-----

Lock inserts

Standard double-bit lock insert may be exchanged for 47 mm lock inserts, type D, see page 942

Other accessories from page 876/877 or refer to index.

To order primed desk units in RAL 7044, please add extension .300 to the Model No. For RAL 7035, use extension .500. Delivery times available on request.

■ Pedestals



Supply includes	Material Sheet steel	Surface finish
Enclosure open at top	1.5 mm	Dipcoat primed in RAL 7044, powder-coated on the outside in textured RAL 7032
Door or double door with locking rod. For depth 400 mm: front For depth 500 mm: front and rear	2.0 mm	
Gland plates, two-piece	1.5 mm	Zinc-plated
Mounting plate. For depth 500 mm: infinitely adjustable	3.0 mm	

Width in mm	Packs of	800	1200	1600	800	1200	1600	Page
Height in mm		670						
Depth in mm		400			500			
Model No. AP	1	2600.600	2620.600	2630.600	2610.600	2640.600	2650.600	
Doors		1	2	2	1	2	2	
Weight (kg)		43.5	62.3	80.0	52.2	75.0	96.0	

Accessories for exterior mounting

Base/plinth SO	Height 100 mm	1	2901.200	2921.200	2961.200	2841.200	2851.200	2863.200	884
	Height 200 mm	1	2902.200	2922.200	2962.200	2842.200	2852.200	2864.200	884
Base/plinth, mobile SO		1	2983.200	–	–	2984.200	–	–	889

Accessories for interior installation

Cable clamp rail		3	2038.200	2037.200	–	2038.200	2037.200	–	898
Swing frame SR, 11 U		1	2027.200	2027.200*		2027.200	2027.200*		1021

Lock systems

Standard double-bit lock insert may be exchanged for 27 mm lock inserts, type A, see page 942 and Ergoform-S lock system – see page 939 – 698

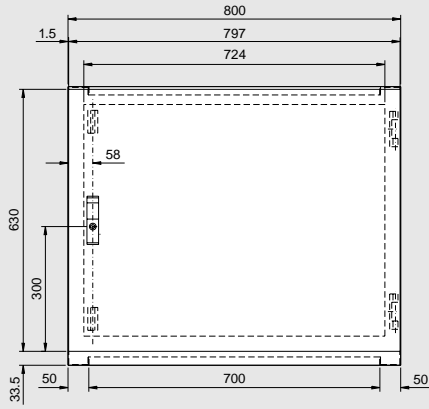
* Two swing frames may be installed

Other accessories from page 876/877 or refer to index.

To order primed pedestals in RAL 7044, please add extension .800 to the Model No. For RAL 7035, use extension .500. Delivery times available on request.

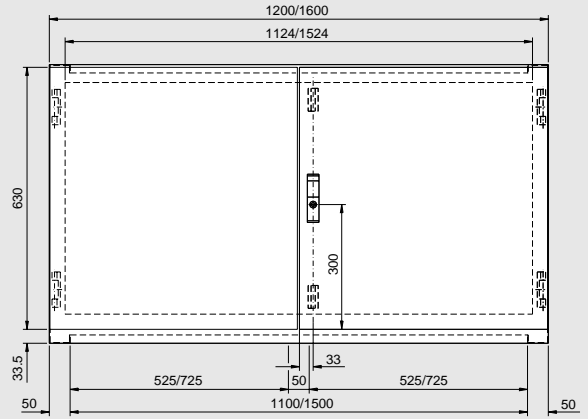
Pedestals

■ ■ W x H 800 x 670 mm



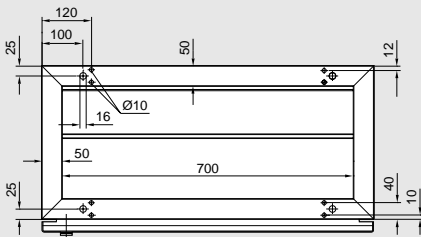
AP 2600.600 / AP 2610.600

■ ■ W x H 1200/1600 x 670 mm



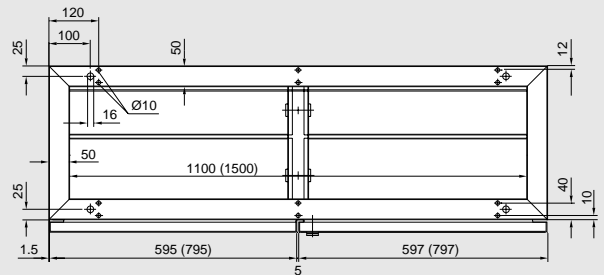
AP 2620.600 / AP 2630.600 / AP 2640.600 / AP 2650.600

■ D 400 mm



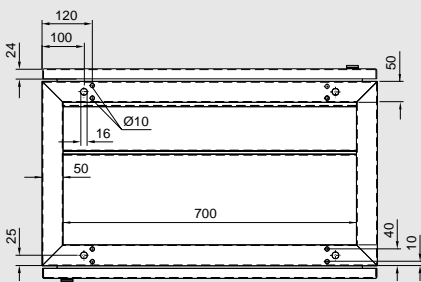
AP 2600.600

■ D 400 mm



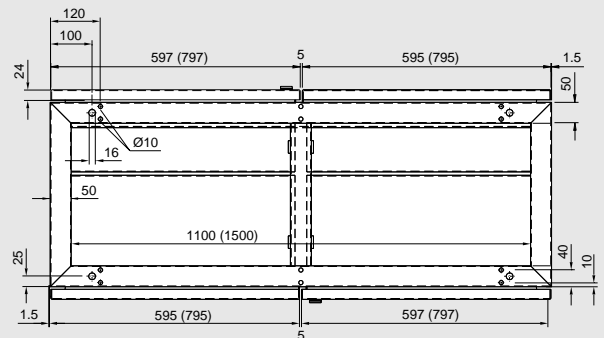
AP 2620.600 / AP 2630.600

■ D 500 mm



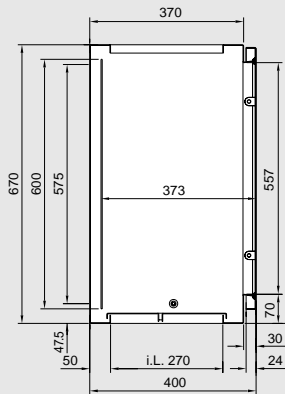
AP 2610.600

■ D 500 mm



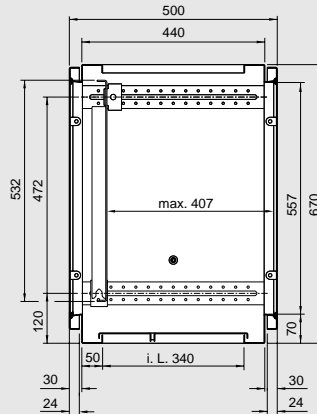
AP 2640.600 / AP 2650.600

D 400 mm



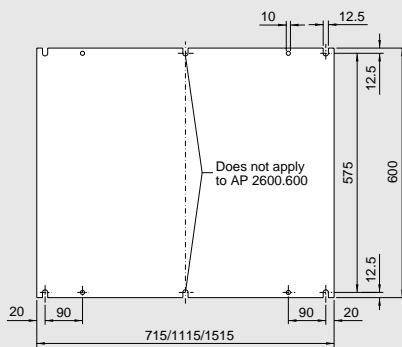
AP 2600.600 / AP 2620.600 / AP 2630.600

D 500 mm



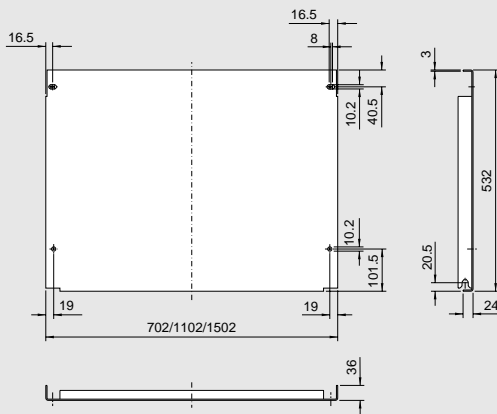
AP 2610.600 / AP 2640.600 / AP 2650.600

Mounting plate for D 400 mm



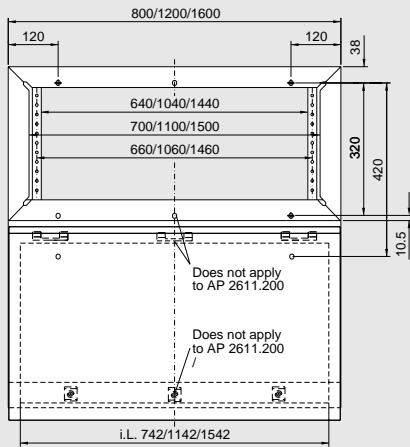
i. L. = Clearance width

Mounting plate for D 500 mm



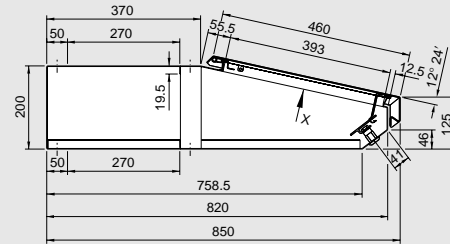
Desk units

H x D 200 x 850 mm

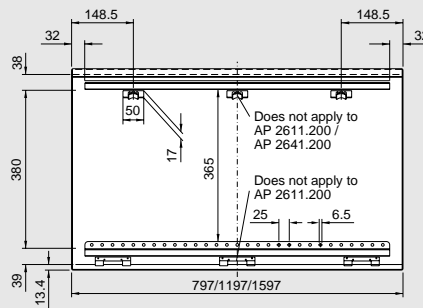


AP 2611.200 / AP 2641.200 / AP 2651.200

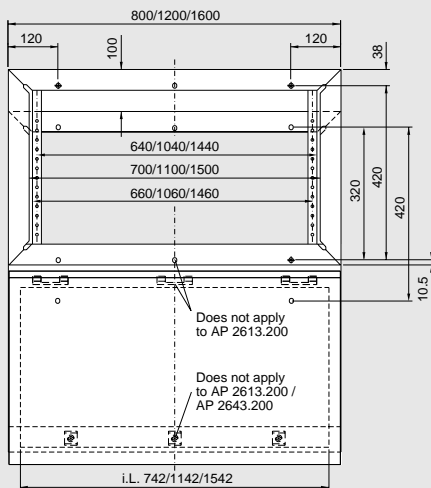
Side view



View in X direction



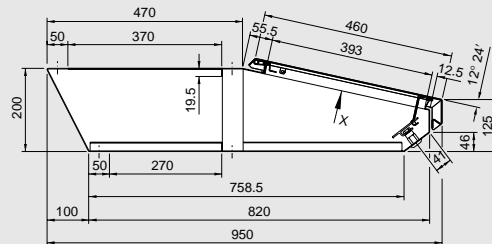
H x D 200 x 950 mm



AP 2613.200 / AP 2643.200 / AP 2653.200

i. L. = Clearance width

Side view



View in X direction

