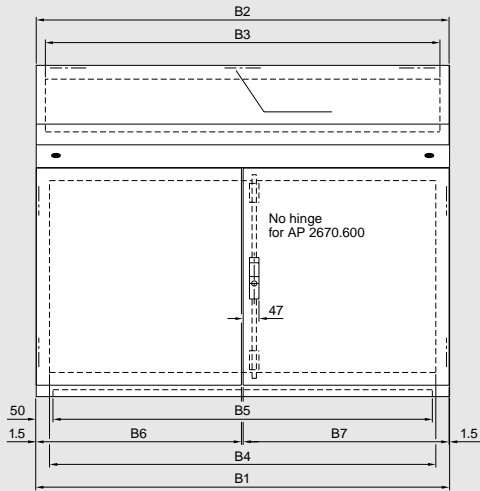
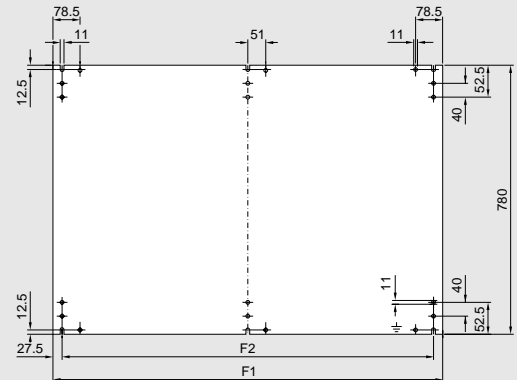
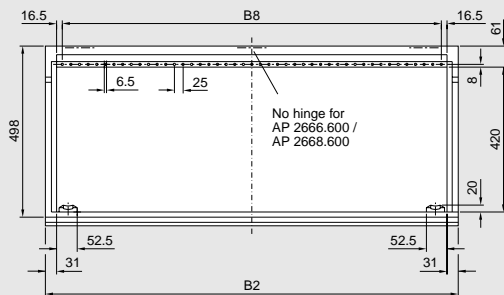
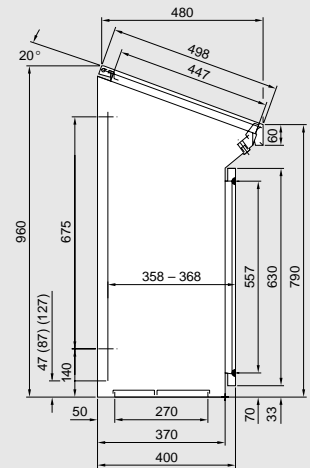
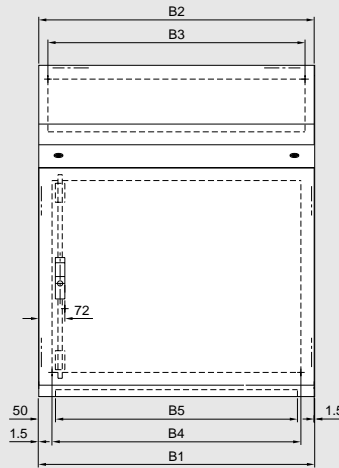


AP 2670.600 / AP 2672.600



AP 2666.600 / AP 2668.600



Supply includes:
 Enclosure, closed rear and sides
 Door or double door, front
 Console lid, with stay
 Two-part gland plate
 Mounting plate.

Width (B 1) in mm	Packs of	600	800	1000	1200	Page
Height in mm		960				
Depth in mm		400/480				
Model No. AP	1	2666.600	2668.600	2670.600	2672.600	
B2 = Width		597	797	997	1197	
B3 = Clearance width, top		544	744	944	1144	
B4 = Clearance width, front		524	724	924	1124	
B5 = Clearance width, bottom		500	700	900	1100	
B6 = Width of door, left		-	-	495	595	
B7 = Width of door, right		-	-	497	597	
B8 = Section length of holes		500	700	900	1100	
F1 = Mounting plate width		530	730	930	1130	
F2 = Distance between attachment holes		475	675	875	1075	
Doors		1	1	2	2	
Weight (kg)		51.5	62.5	79.5	90.0	

Accessories for external mounting

Base/plinth SO	Height 100 mm	1	2911.200	2901.200	2891.200	2921.200	884
	Height 200 mm	1	2912.200	2902.200	2892.200	2922.200	884
Mobile base on castors SO		1	2979.200	2983.200	-	-	889
Aluminium strip AP		3	2676.000	2678.000	2682.000*	2682.000	934

Accessories for interior installation

Cable clamp rail AS		3	2036.200	2038.200	1805.200	2037.200	898
Swing frame SR, 11 U		1	-	2027.200	2027.200	2027.200	1021

* To be shortened by 200 mm.

To order primed one-piece consoles in RAL 7044, add extension .800 to the Model No. For textured RAL 7035, use extension .500. Delivery times available on request.



Accessories:

See page 876/877
or refer to index.

Material:

Sheet steel
Enclosure: 1.5 mm
Door and console lid: 2.0 mm
Mounting plate: 3.0 mm

Surface finish:

Enclosure, door and console lid: Dipcoat primed in RAL 7044 and powder coated on the outside in textured RAL 7032
Mounting plate and gland plates: Zinc-plated

Protection category:

IP 55 to EN 60 529/10.91
Complies with NEMA 12

Lock systems

Console lid:

Standard double-bit lock insert may be exchanged for 47 mm lock inserts, type D – see page 942.

Door:

Standard double-bit lock insert may be exchanged for 27 mm lock inserts, type A – see page 942 and Ergoform-S lock system – see page 939.



One-piece console combined with Optipanel.